

LIGHTING STANDARD SCHEDULE					
NO.	CKT. NO.	STATION	OFFSET	ARM	LIGHT STANDARD
1	1	47+28	40' RT.	-	SEE DETAIL

LIGHTING SERVICE SCHEDULE			
SERVICE RUN	DISTANCE (L.F.)	DESCRIPTION	INSTALLATION
1	1247	2" 4-#8 GND. IN 2" GALV. CONDUIT	DIRECT BURIAL

NOTE: SERVICE RUN DISTANCE REFLECTS CONDUIT LENGTHS ONLY.

**NOTES:**

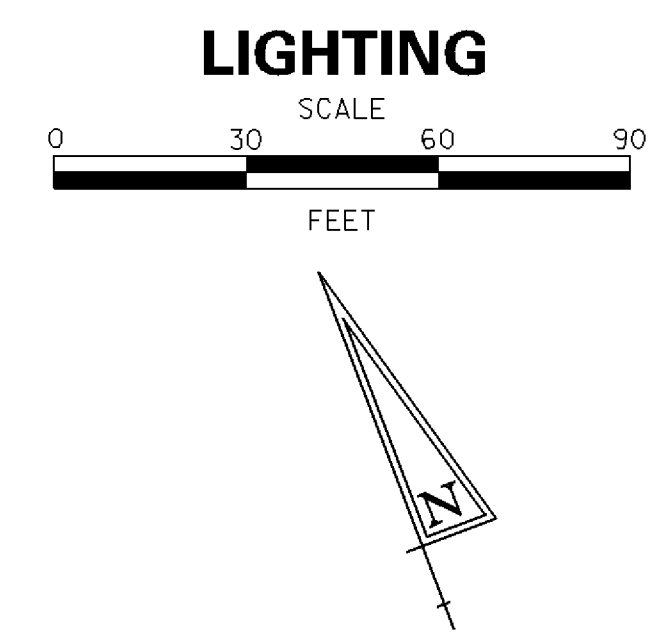
1. ALL LIGHTING STANDARD POLE BASES SHALL BE TYPE 6.
2. ALL LIGHTING JUNCTION WELLS SHALL BE TYPE 1.
3. LIGHTING CIRCUITS ARE AS NOTED IN LIGHTING SERVICE SCHEDULE.
4. LOCATION OF CONDUIT MAY BE ADJUSTED IN FIELD TO AVOID EXISTING OR OTHER PROPOSED CONSTRUCTION FEATURES, SUBJECT TO APPROVAL OF THE ENGINEER. ALL CONDUITS AND POLES SHALL BE LOCATED WITHIN EXISTING PROPOSED RIGHT-OF-WAY OR PERMANENT EASEMENT.

**CPD LIGHTING NOTE:**

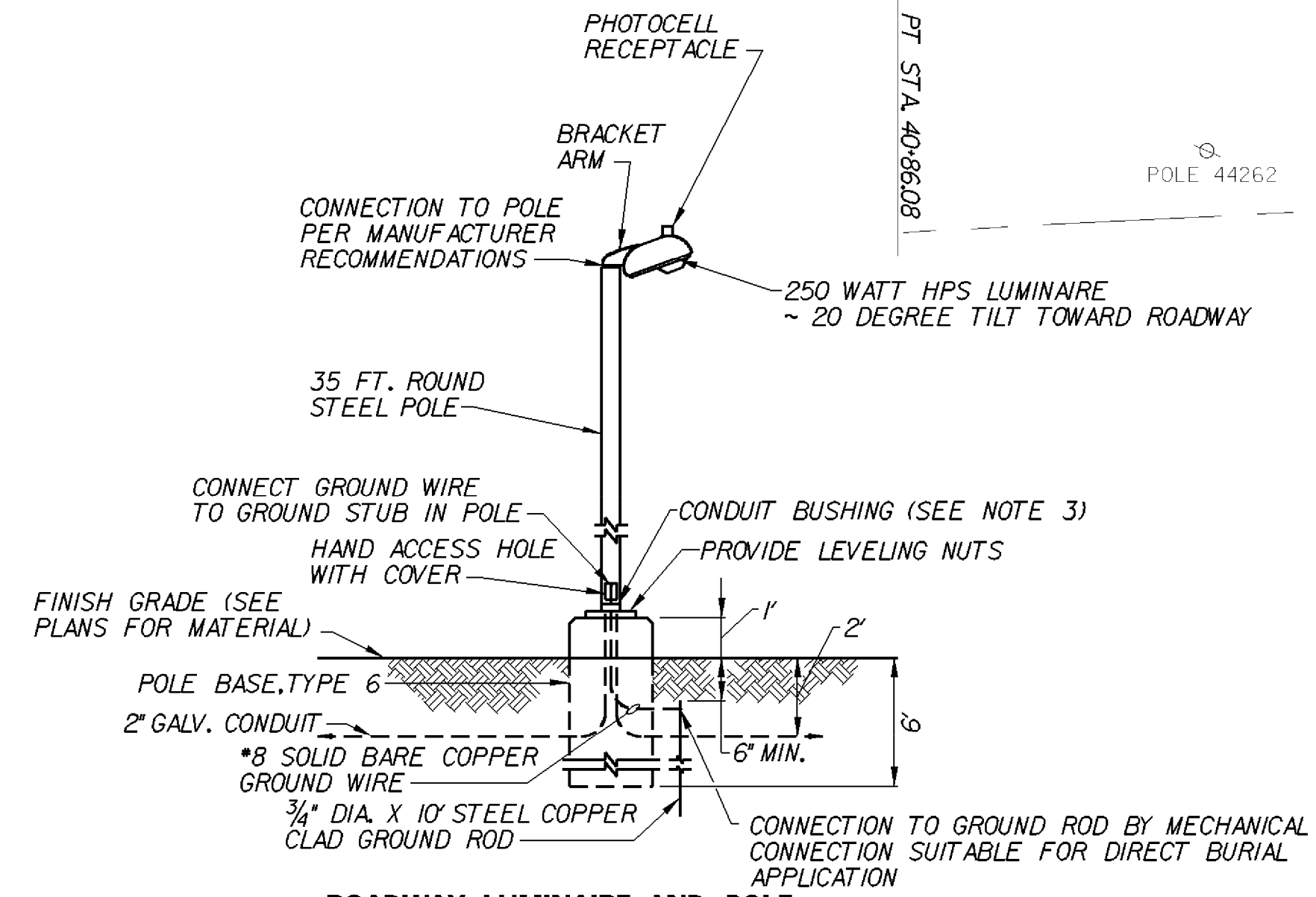
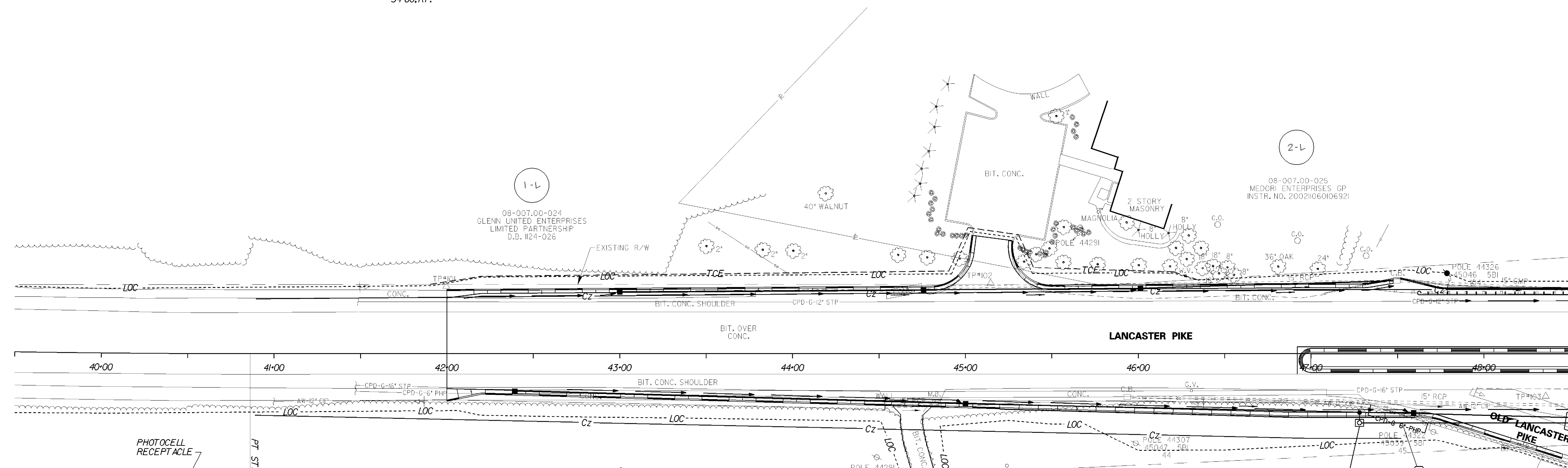
CPD TO INSTALL 250 W HPS LUMINAIRES TO THE FOLLOWING UTILITY POLES OUTSIDE OF THE MAIN PROJECT AREA SHOWN ON THE LIGHTING PLANS:

**STATION**

- 14+03, RT.
- 21+33, LT.
- 32+96, RT.
- 34+60, RT.

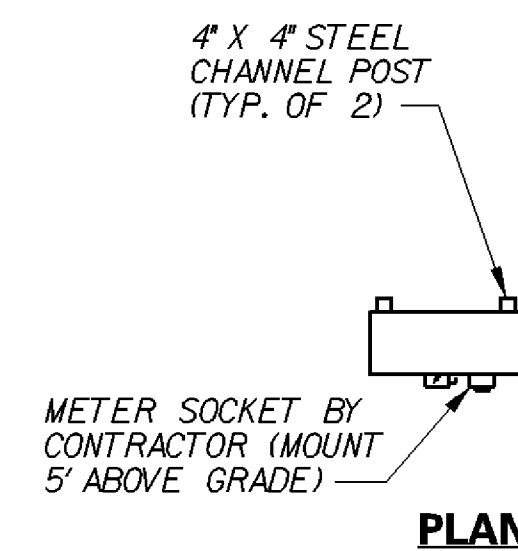


CONTRACT	COUNTY	F.A.P. NO.	SHEET NO.	TOTAL SHTS.
20-007-02	NEW CASTLE	SEE TITLE SHEET	116	151
<b>SR 41 (LANCASTER PIKE) SAFETY PROJECT</b>				
REVISIONS				



**ROADWAY LUMINAIRE AND POLE**

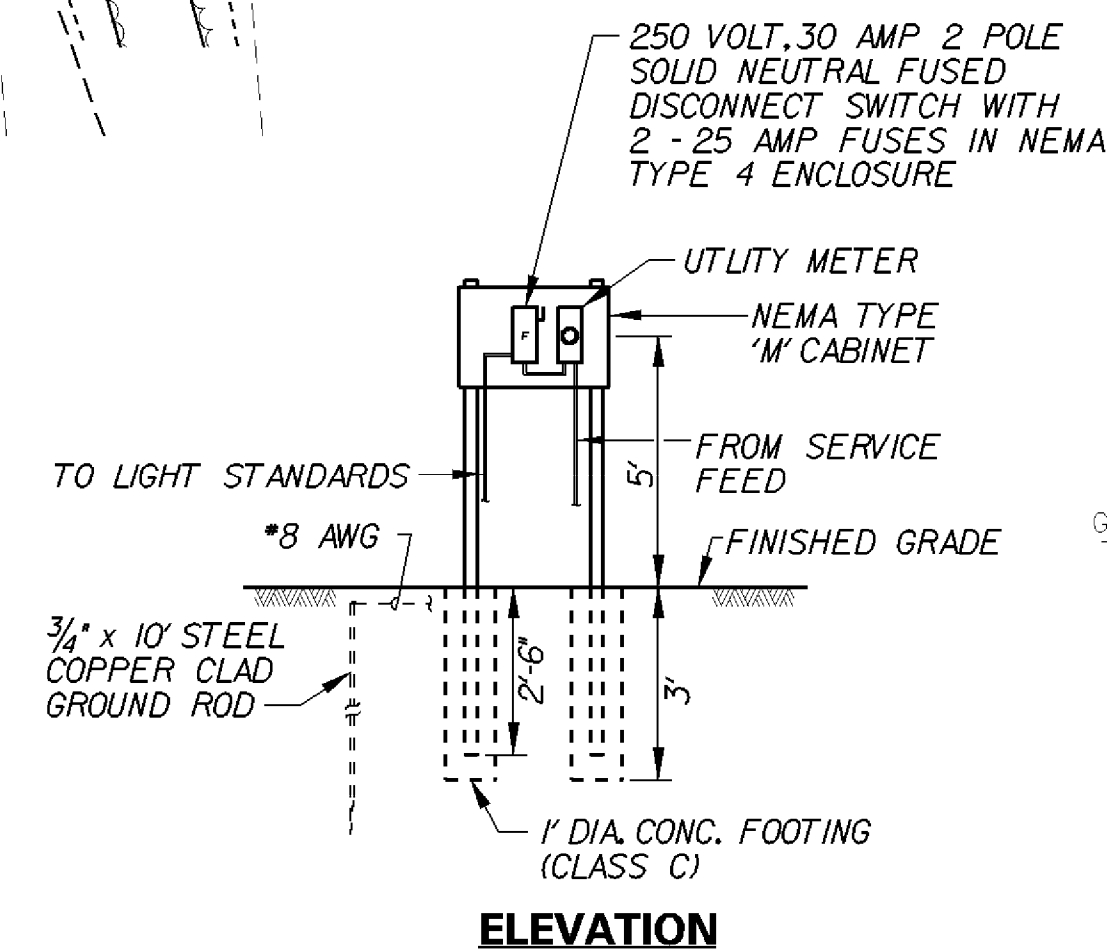
- NOTES:**
1. STATION AND OFFSET NOTED IN LIGHTING STANDARD SCHEDULE IS GIVEN TO THE CENTER OF THE POLE.
  2. PAYMENT FOR LIGHT POLE, FIXTURE AND ALL AMENITIES SHOWN ABOVE (EXCEPT POLE BASE, CONDUIT AND CABLES) SHALL BE MADE UNDER ITEM 746860 - ROADWAY LUMINAIRE AND POLE.
  3. GROUND WIRE TO BE BONDED TO THE CONDUIT BUSHING.



**LIGHTING SERVICE**

NOT TO SCALE

- NOTES:**
1. LIGHTING SERVICE TO BE 120 V/240 V, SINGLE PHASE, 2-POLE.
  2. CENTER OF PEDESTAL FOR TWO SERVICE LOCATIONS TO BE @ STA. 53+77, 70' LT. AND @ STA. 73+90, 66' RT.
  3. CONTRACTOR TO COORDINATE WITH UTILITY OWNER (CONNECTIN POWER DELIVERY) FOR CABLE AND SERVICE CONNECTION REQUIREMENTS PER ITEM 746516 - SERVICE INSTALLATION.



**ELEVATION**

MATCHLINE STATION 48+50

PREL. TRACING J.A.D. DESIGN C.L.C./D.E.G. CHKD. J.M.P.