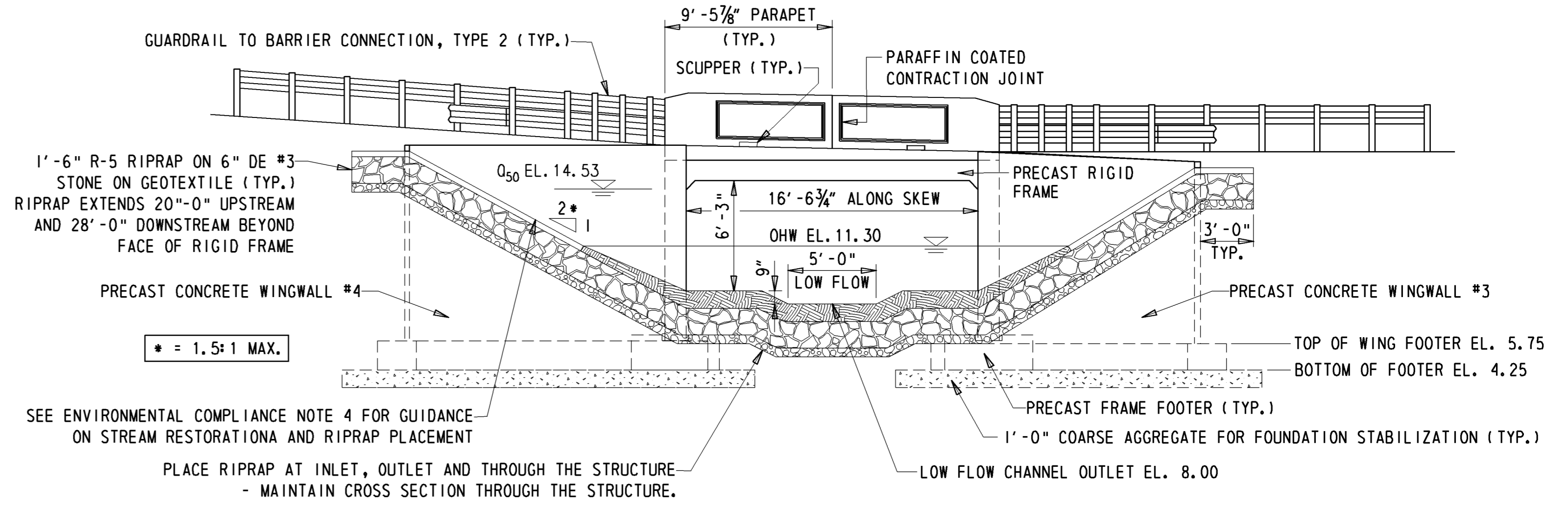


BRIDGE PLAN
3/16" = 1'-0"

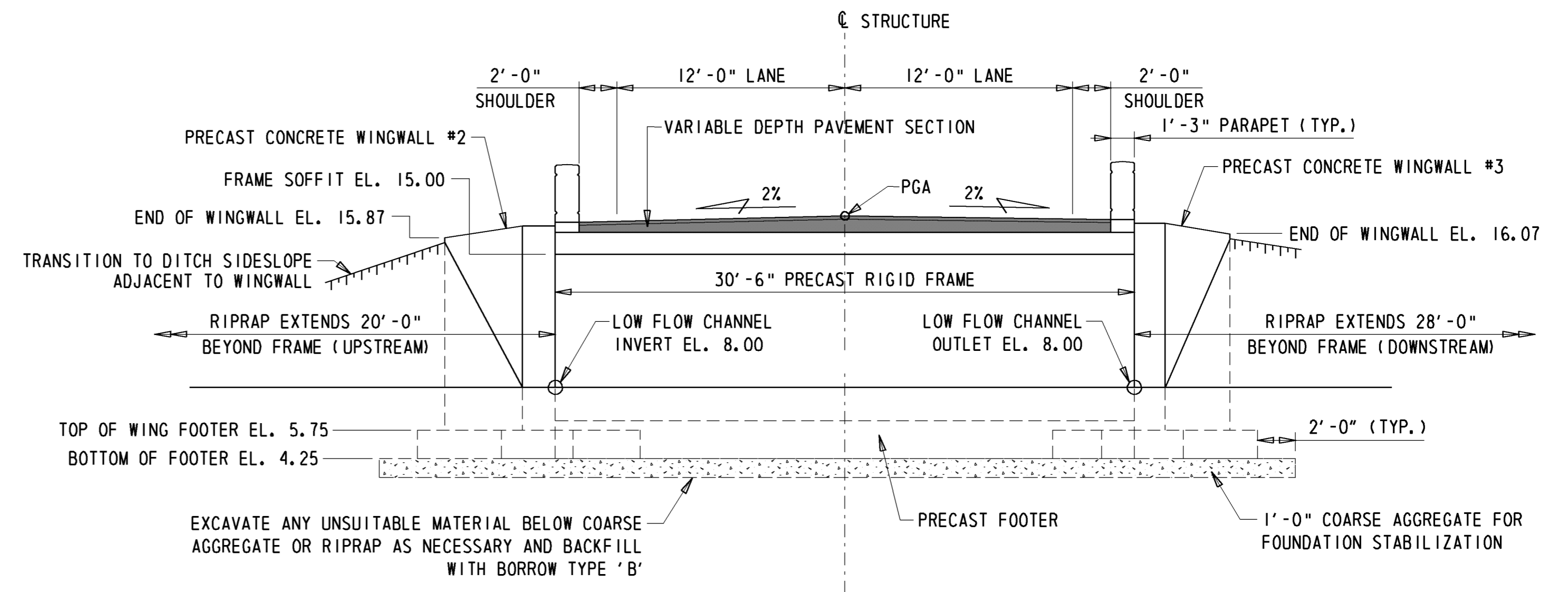
WORKING POINTS					WORKING POINTS				
POINT	STATION	OFFSET	NORTHING	EASTING	POINT	STATION	OFFSET	NORTHING	EASTING
100	12+20.00	0.00	327212.38	654411.92	122	12+49.31	-21.70	327220.67	654377.22
101	12+14.60	-15.25	327198.82	654403.10	130	12+29.07	9.29	327225.29	654413.71
102	12+33.97	-15.15	327213.89	654391.56	131	12+38.27	12.09	327234.45	654409.93
103	12+25.40	15.25	327225.94	654420.75	132	12+35.42	21.89	327238.36	654419.41
104	12+06.42	15.25	327210.86	654432.28	140	12+02.87	9.08	327204.29	654429.54
110	12+07.24	-14.69	327193.31	654408.01	141	11+89.67	12.61	327195.96	654440.37
111	12+04.78	-23.87	327185.78	654402.22	142	11+92.32	22.51	327204.08	654446.62
112	12+14.68	-26.52	327192.03	654394.09					
120	12+37.46	-8.86	327220.46	654394.31					
121	12+51.29	-11.62	327228.80	654383.47					

QTY.	SIZE	LENGTH	MARK	TYPE	A	B	C	D
16	5	18-73	PA501E	STR		18-73		
80	5	3-40	PA502E	STR		3-40		
44	5	3-30	PA503E	17		1-30	0-90	1-30
4	5	5-90	PA504E	17		2-60	0-90	2-60

- NOTES:
- REINFORCING BARS LISTED HERE PERTAIN TO THE CAST-IN-PLACE PARAPETS ONLY.
 - THE LENGTH OF BAR PA501E ASSUMES 6" TO BE THREADED AND INSERTED INTO THE THREADED INSERT PROVIDED IN PRECAST SECTIONS, SUCH THAT A 2" COVER REMAINS AT THE TOP OF THE BAR. THIS LENGTH MAY BE ADJUSTED TO MATCH WITH THE CONTRACTOR'S AND/OR PRECASTER'S CHOICE OF THREADED INSERT.



DOWNSTREAM ELEVATION
3/16" = 1'-0"



BRIDGE SECTION
3/16" = 1'-0"

NOTE: RIPRAP NOT SHOWN ON THIS VIEW FOR CLARITY

Y:\SUSSEX\21\BRIDGE\201407306\PLANS\PE.DGN