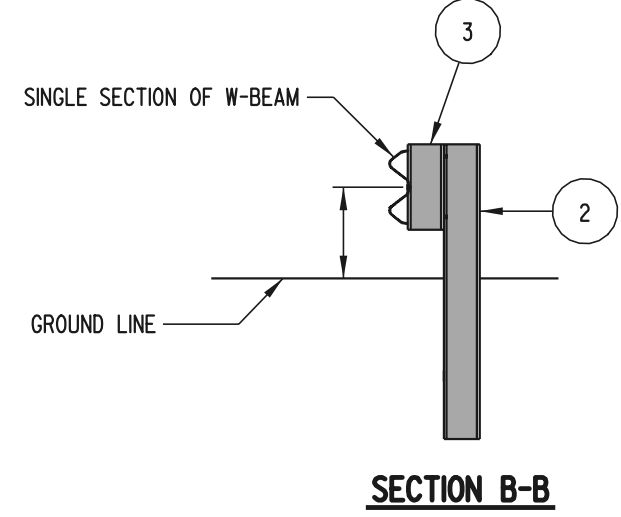
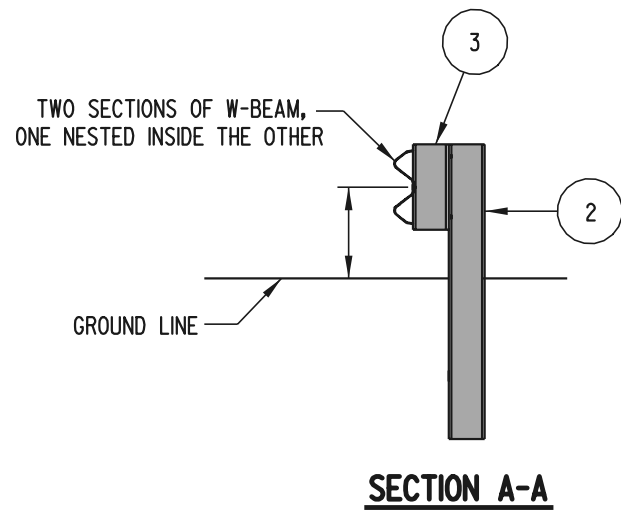
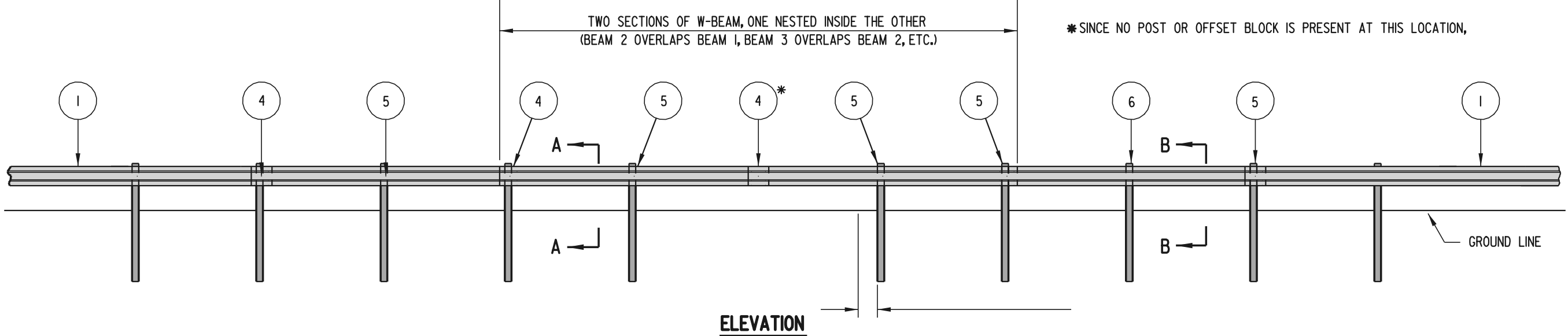
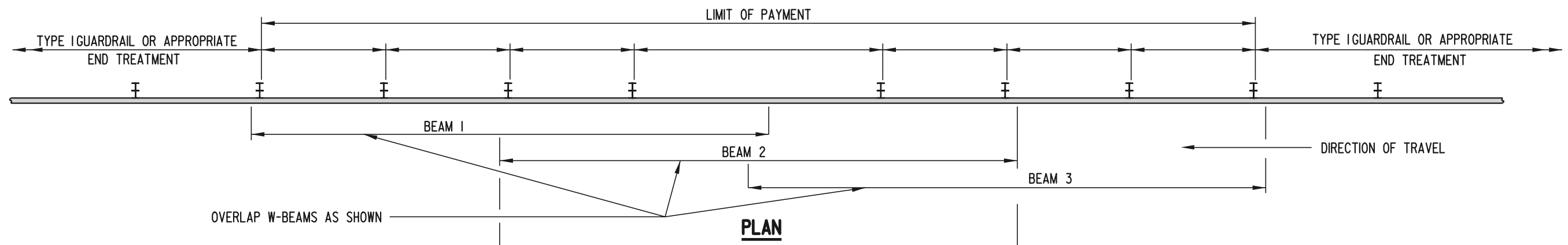


SCALE :



NOTES :1). ALL W-BEAMS ARE \_\_\_\_\_ IN LENGTH. ADDITIONAL HOLES FOR SPLICES SHALL BE DRILLED PRIOR TO GALVANIZING.  
 2). PLACE REFLECTORIZED WASHER EVERY FIFTH POST.