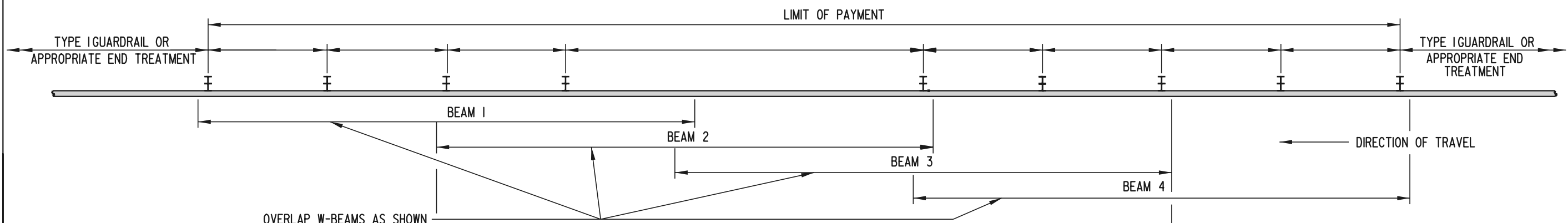
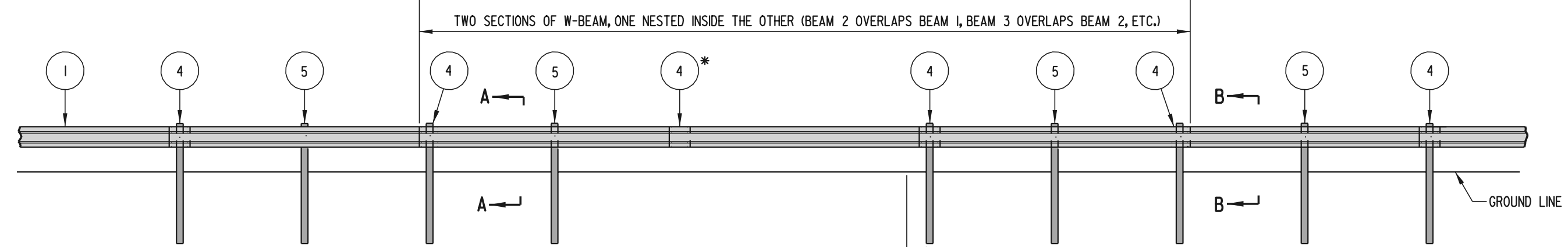


SCALE : N.T.S.

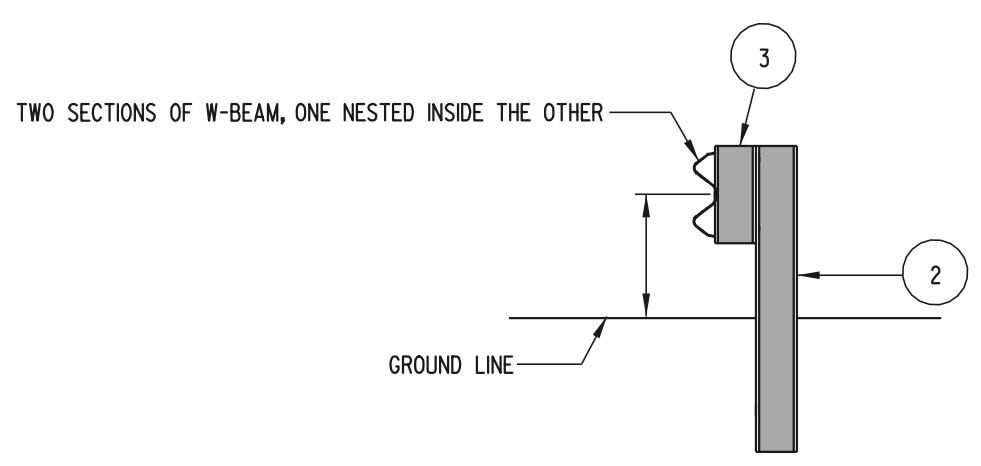


PLAN

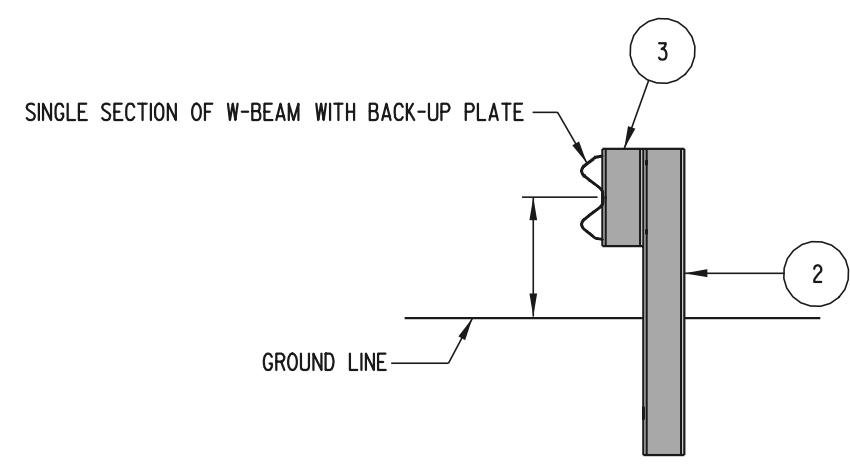
* SINCE NO POST OR OFFSET BLOCK IS PRESENT AT THIS LOCATION,



ELEVATION



SECTION A-A



SECTION B-B

FOR SPLICES SHALL BE DRILLED PRIOR TO GALVANIZING.
2). PLACE REFLECTORIZED WASHER EVERY FIFTH POST.