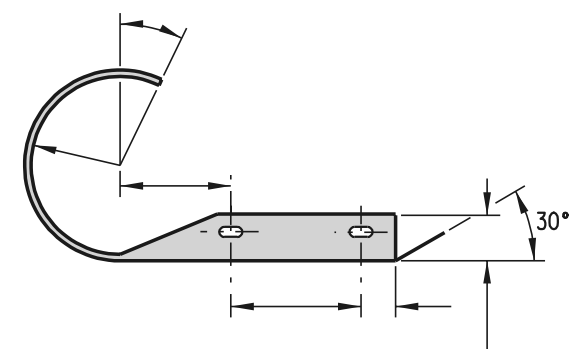
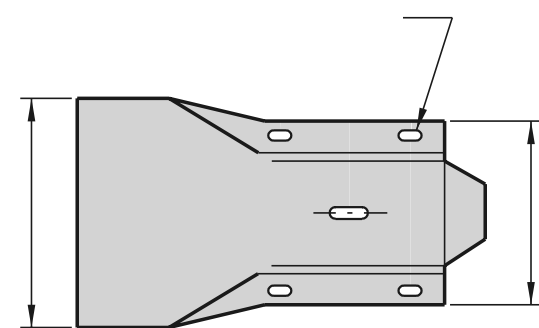


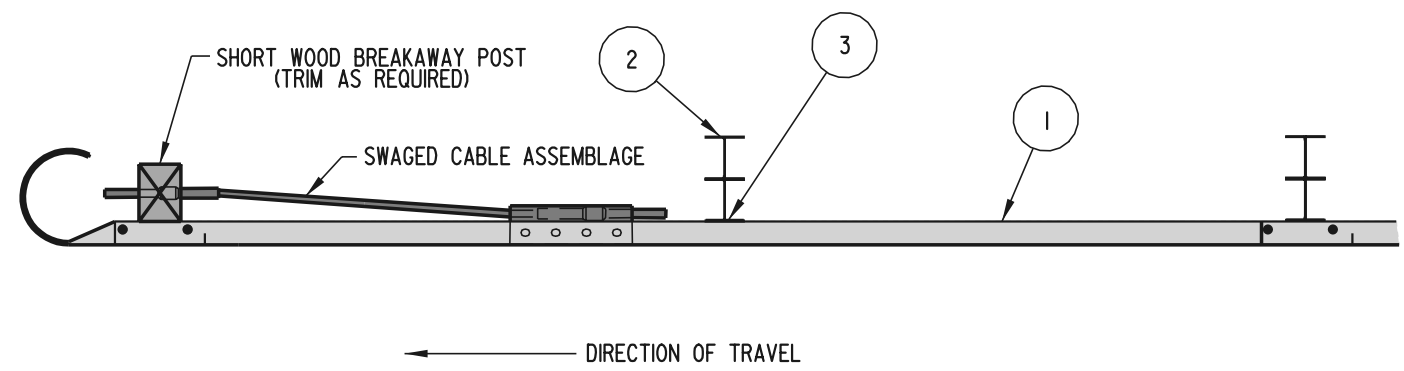
SCALE : N.T.S.



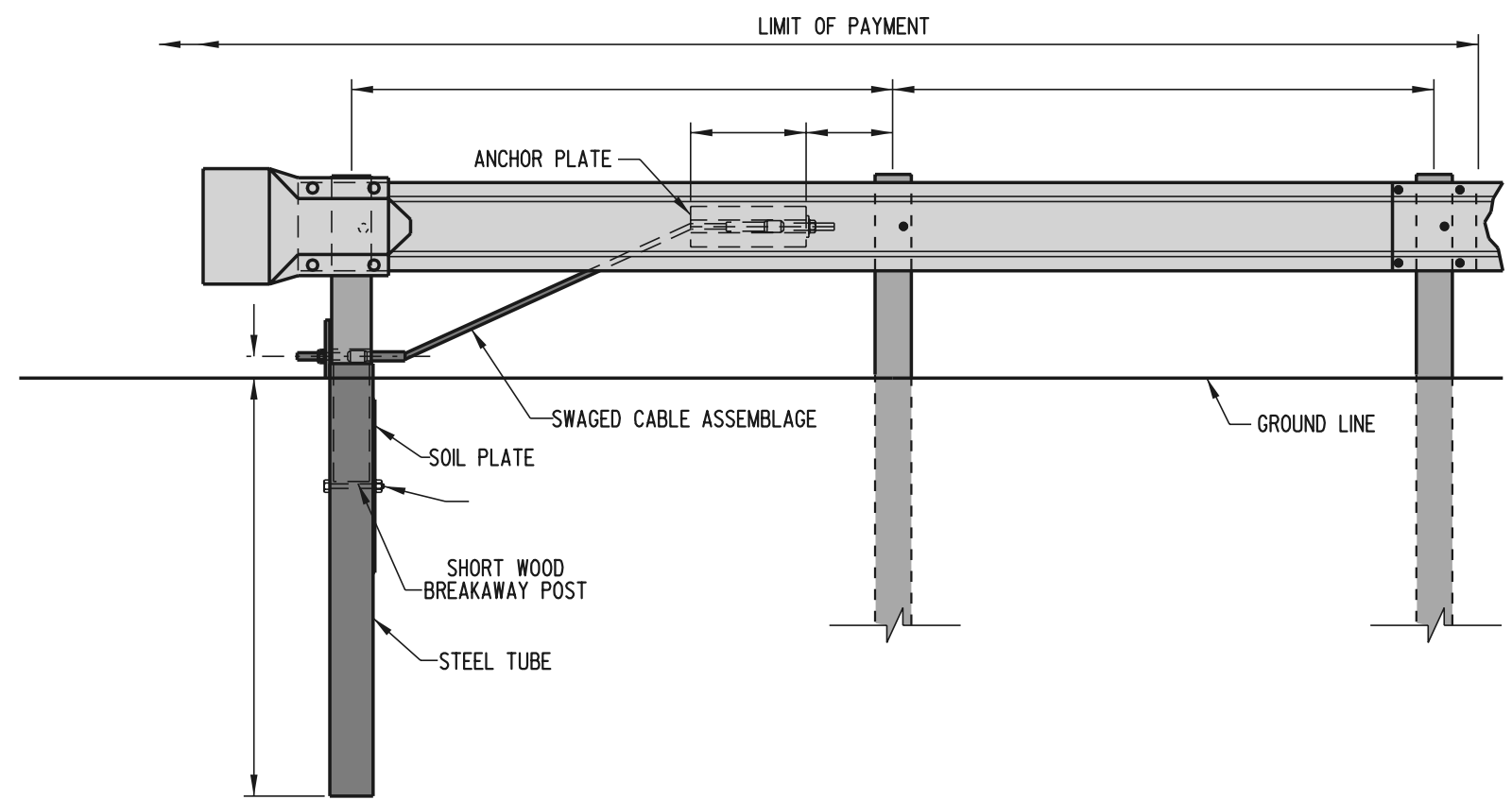
END SECTION PLAN



END SECTION ELEVATION



PLAN



ELEVATION

NOTE: ADDITIONAL HOLES FOR ANCHOR PLATE SHALL BE DRILLED PRIOR TO GALVANIZING. (SEE STANDARD HARDWARE SHEET FOR HOLE SPACING INFORMATION).



**DELAWARE
DEPARTMENT OF TRANSPORTATION**

END ANCHORAGE			
STANDARD NO.	B-5 (97)	SHT.	1 OF 1

APPROVED	_____	DATE _____
	CHIEF ENGINEER	
RECOMMENDED	_____	DATE _____
	DESIGN ENGINEER	