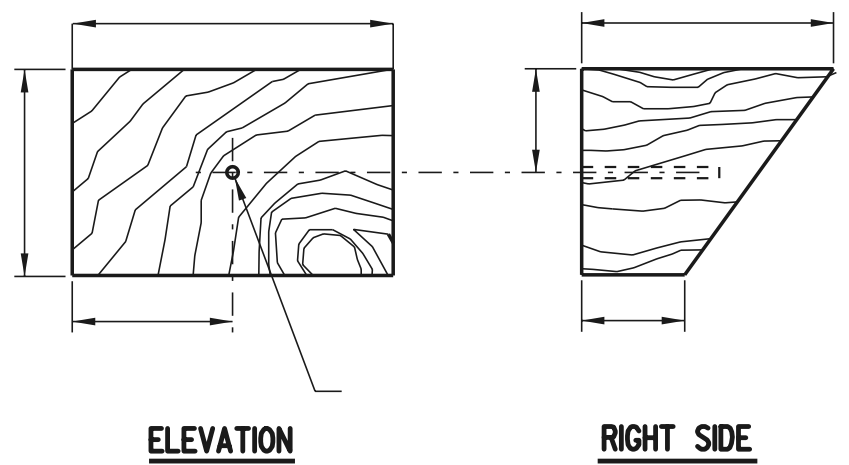


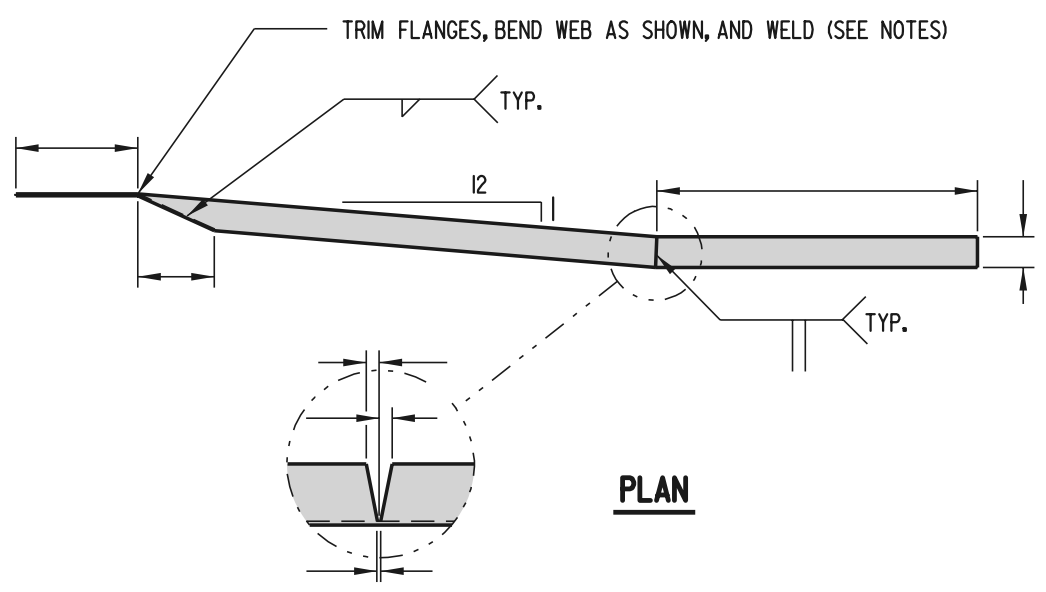
SCALE :



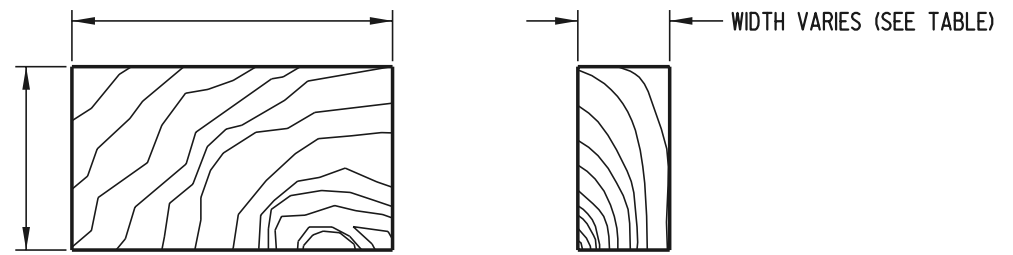
**ELEVATION**

**RIGHT SIDE**

**WOOD BLOCKOUT DETAIL**



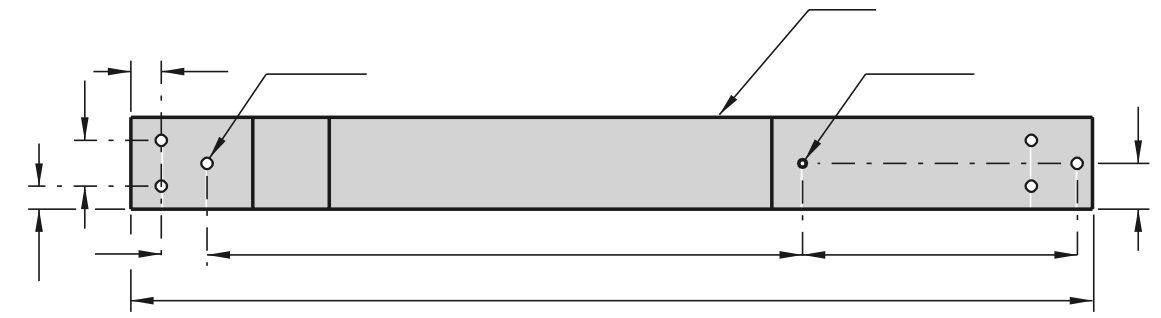
**PLAN**



**ELEVATION**

**RIGHT SIDE**

**RUB RAIL WOOD BLOCKS**



RUB RAIL WOOD BLOCKS		
BLOCK NO.	WIDTH	BOLT LENGTH
1		
2		
3		
4		

- NOTES:**
- 1). THE RUB RAIL TO BARRIER CONNECTION END MUST BE ATTACHED FLUSH WITH THE SLOPED TOE OF THE SAFETY BARRIER. INSTALLATION CAN BE SIMPLIFIED BY FABRICATING OR SHOP TWISTING THE RUB RAIL END TO BE CONSISTENT WITH THE SLOPE OF THE BARRIER, HOWEVER, FIELD BENDING USING HEAT IS PERMITTED.
  - 2). STEEL SPACER TUBE IS SCHEDULE 40 GALVANIZED PIPE, 150 mm (I.D.) x 250 mm.