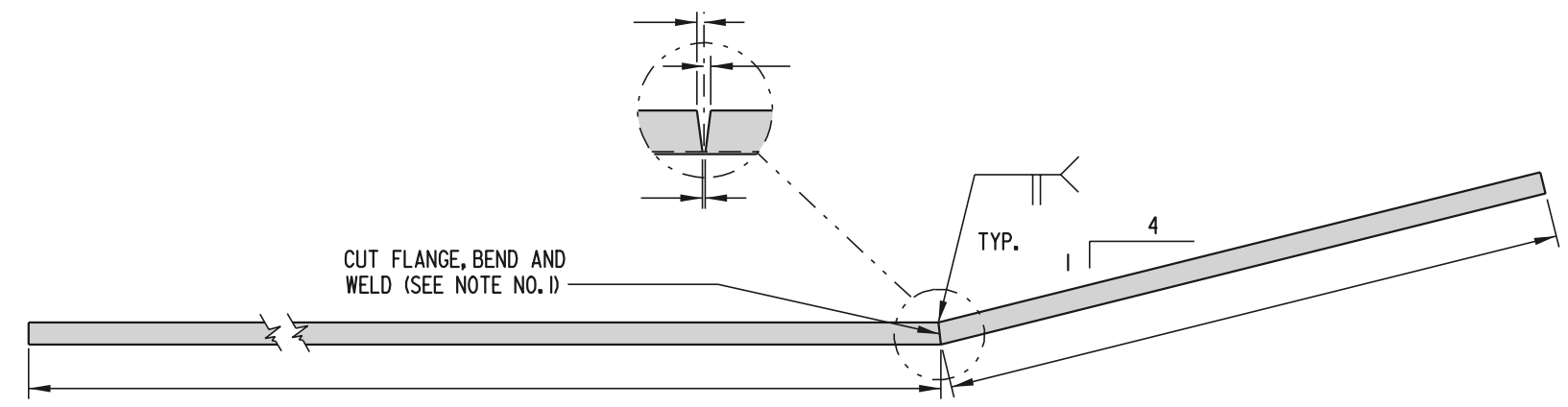
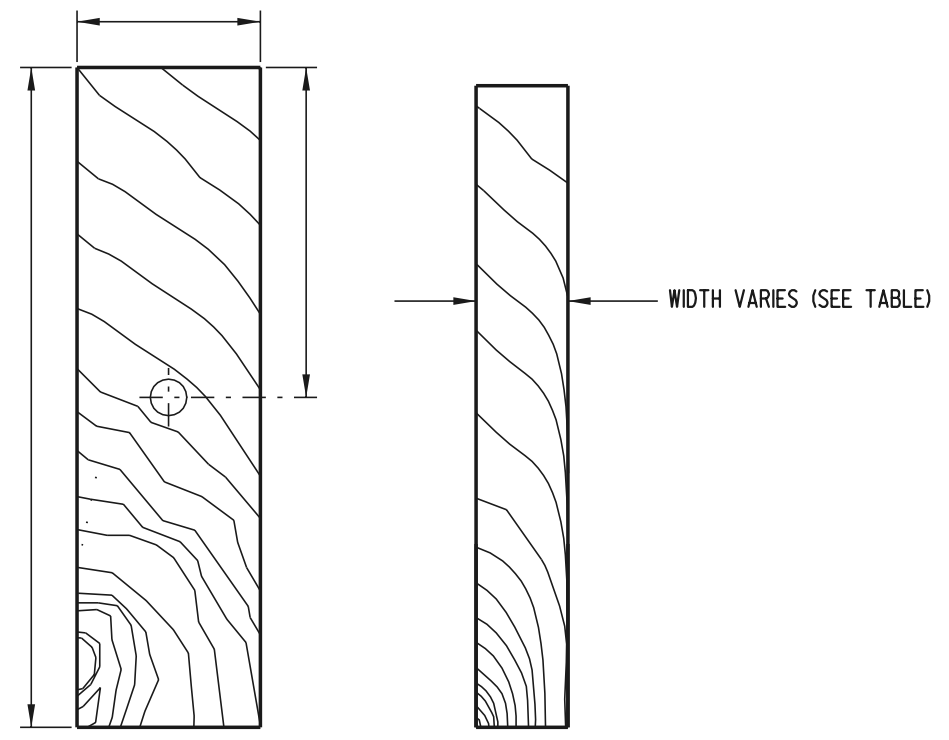


SCALE :



BENT RAIL



ELEVATION **RIGHT SIDE**

BENT RAIL WOOD BLOCKS

BLOCK	WIDTH	BOLT LENGTH
1		
2		
3		
4		

NOTE: BOTTOM WOOD BLOCKS LOCATED ON POSTS 1-4 ARE OFFSET DRILLED
(L VARIES), SEE BENT RAIL WOOD BLOCKS TABLE.



DELAWARE
DEPARTMENT OF TRANSPORTATION

GUARDRAIL TO BARRIER CONNECTION, APPROACH TYPE 2
STANDARD NO. **B-8 (97)** SHT. **2** OF **2**

APPROVED _____ DATE _____
CHIEF ENGINEER
RECOMMENDED _____ DATE _____
DESIGN ENGINEER