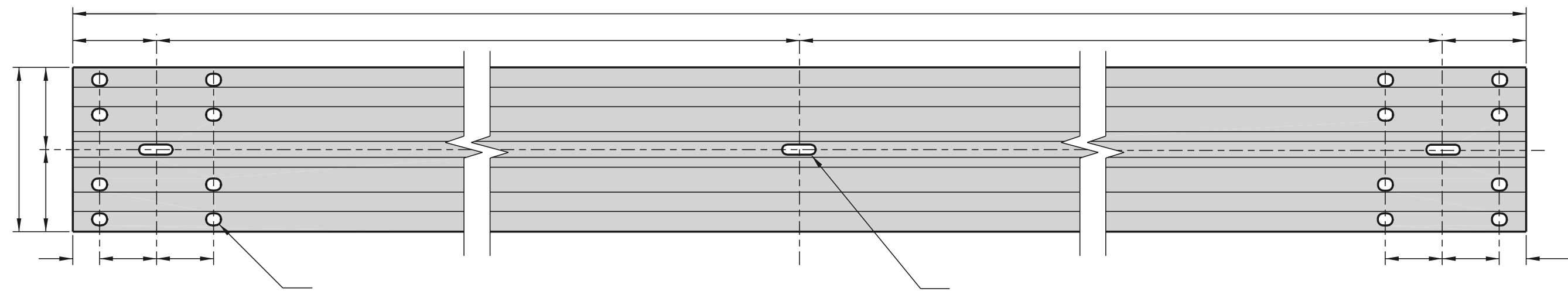
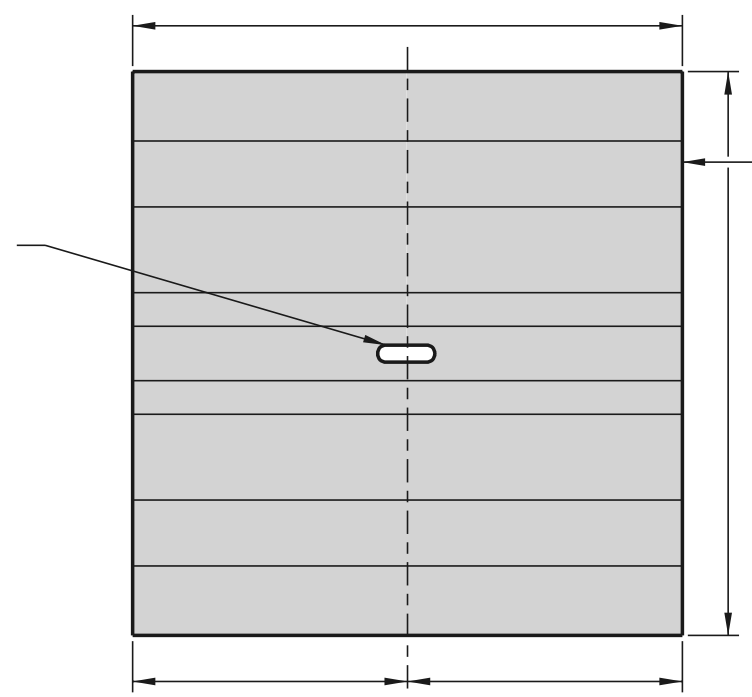


SCALE :

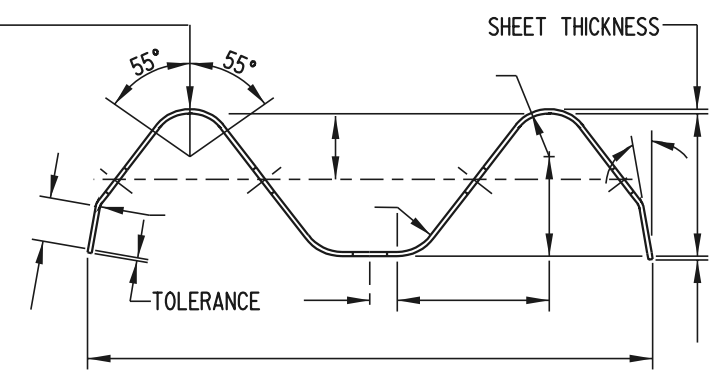


W-BEAM ELEVATION



W-BEAM BACK-UP PLATE

12 GAGE



W-BEAM SECTION

NOTES:

2). PLACE REFLECTORIZED WASHERS EVERY FIFTH POST.



DELAWARE
DEPARTMENT OF TRANSPORTATION

HARDWARE

STANDARD NO. **B-13 (97)**

SHT. **1** OF **12**

APPROVED

CHIEF ENGINEER _____ DATE _____

RECOMMENDED

DESIGN ENGINEER _____ DATE _____