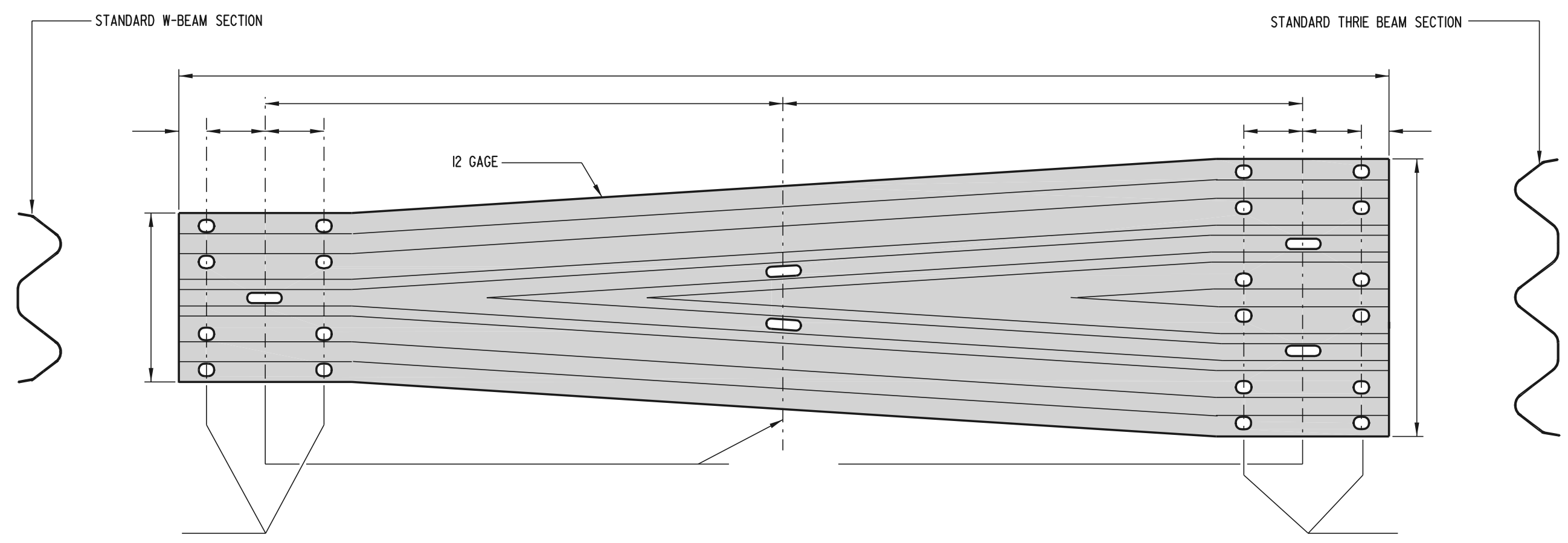


SCALE : N.T.S.



W-THRIE BEAM TRANSITION SECTION



**DELAWARE**  
**DEPARTMENT OF TRANSPORTATION**

<b>HARDWARE</b>			
STANDARD NO.	B-13 (97)	SHT.	6 OF 12

<b>APPROVED</b>	_____	DATE	_____
	<small>CHIEF ENGINEER</small>		
<b>RECOMMENDED</b>	_____	DATE	_____
	<small>DESIGN ENGINEER</small>		