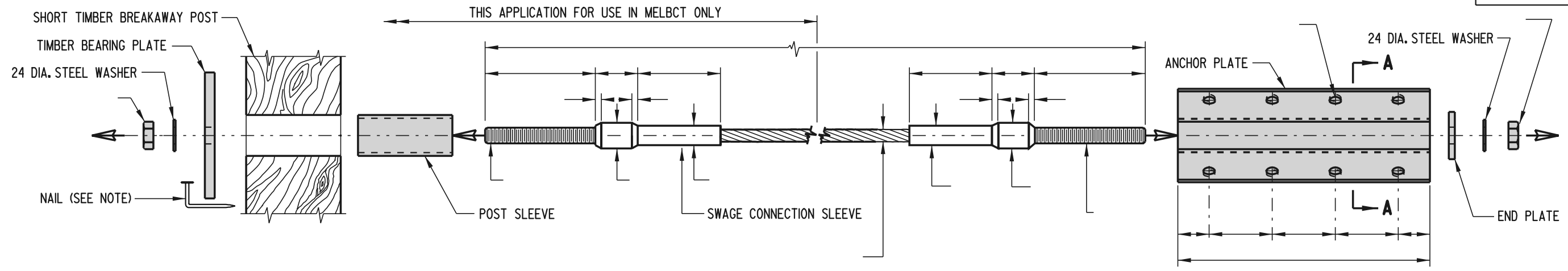
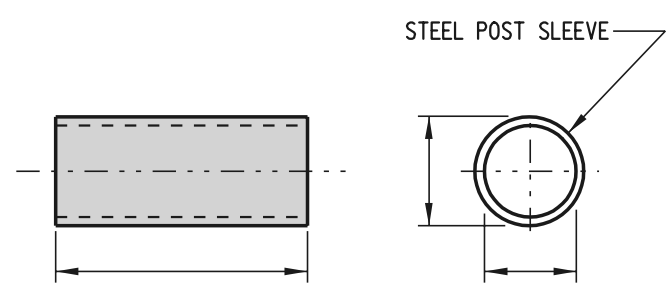


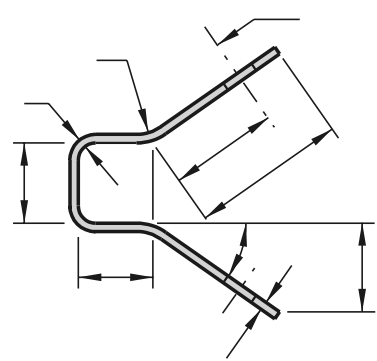
SCALE : N.T.S.



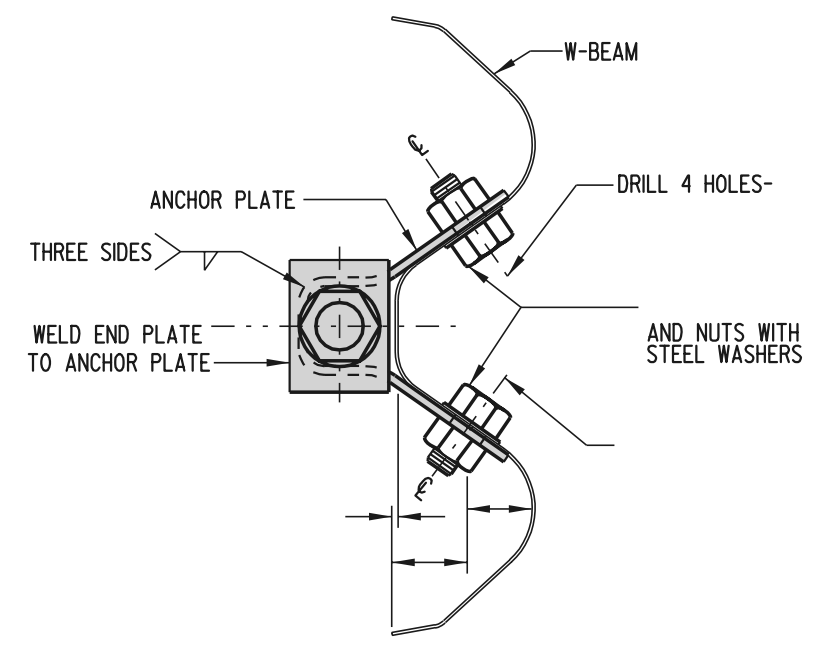
SWAGED CABLE ASSEMBLAGE AND RELATED HARDWARE ASSEMBLY



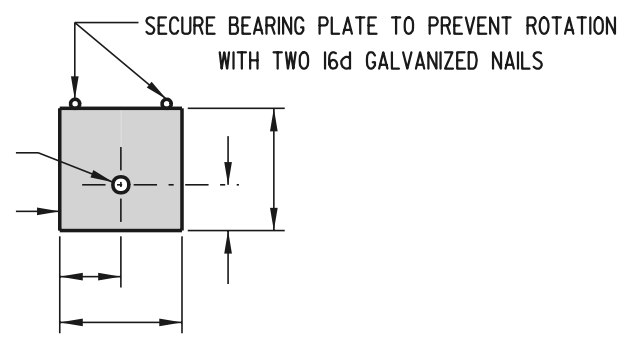
POST SLEEVE



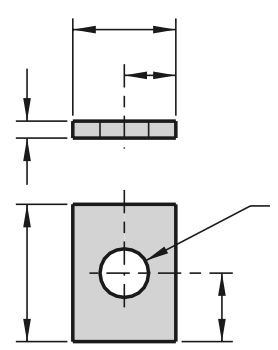
SECTION A-A



ANCHOR PLATE TO W-BEAM CONNECTION DETAIL



TIMBER BEARING PLATE



END PLATE

- NOTES:** 1). TO ENSURE THAT THE TIMBER BEARING PLATE REMAINS IN POSITION, TWO EIGHT PENNY GALVANIZED STEEL NAILS SHALL BE DRIVEN IN THE SHORT TIMBER BREAKAWAY POST, AND BENT OVER BEARING PLATE.
 2). TIGHTEN ASSEMBLY UNTIL CABLE IS TAUGHT.