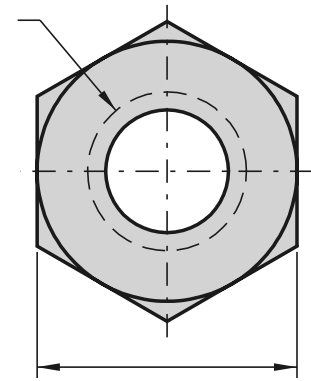
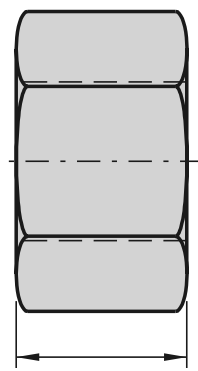
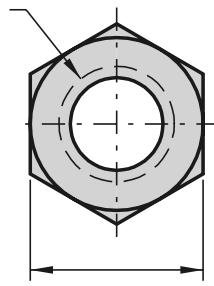
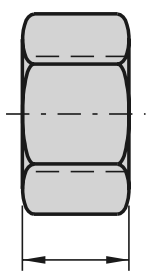
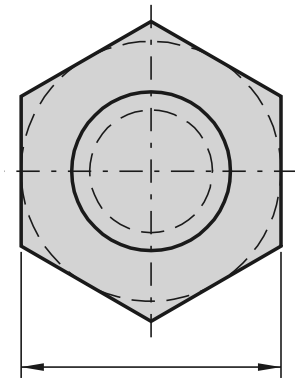
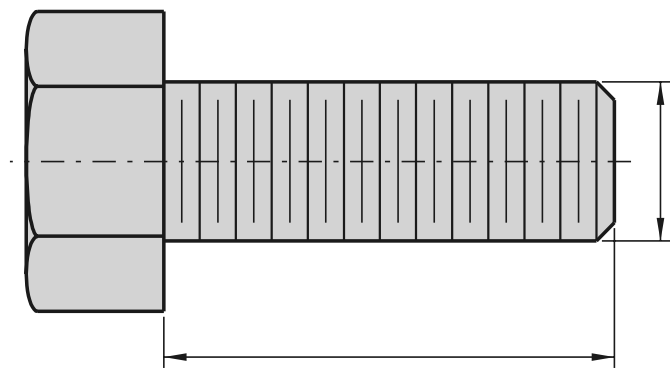
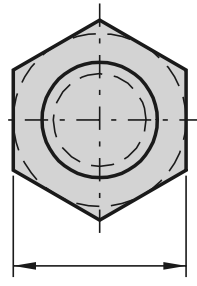
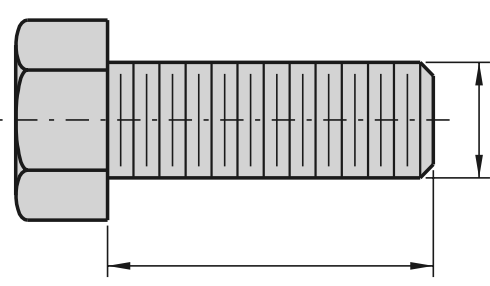
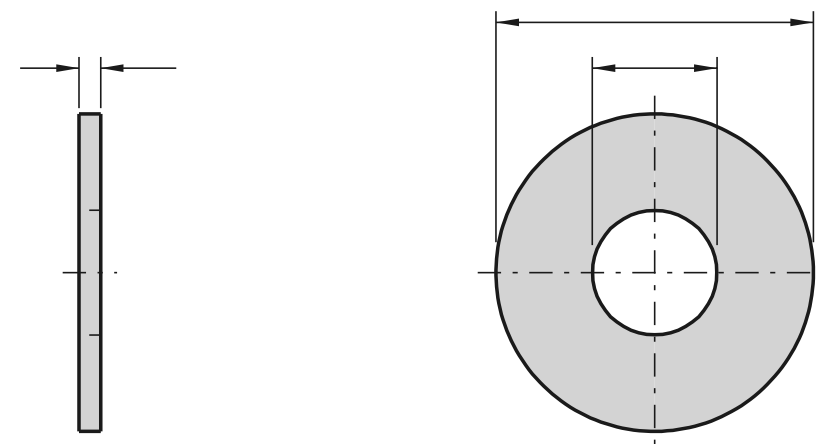


SCALE :



**HIGH-STRENGTH STRUCTURAL HEX BOLT**

**HIGH-STRENGTH STRUCTURAL HEX NUT**



NOTE : DIMENSION FOR WASHER THICKNESS IS APPROXIMATE BASE METAL THICKNESS.



**DELAWARE  
DEPARTMENT OF TRANSPORTATION**

<b>HARDWARE</b>			
STANDARD NO.	B-13 (97)	SHT.	11 OF 12

<b>APPROVED</b>	_____	DATE	_____
	CHIEF ENGINEER		
<b>RECOMMENDED</b>	_____	DATE	_____
	DESIGN ENGINEER		