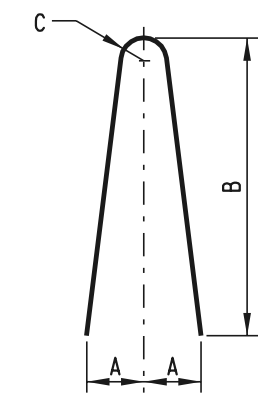
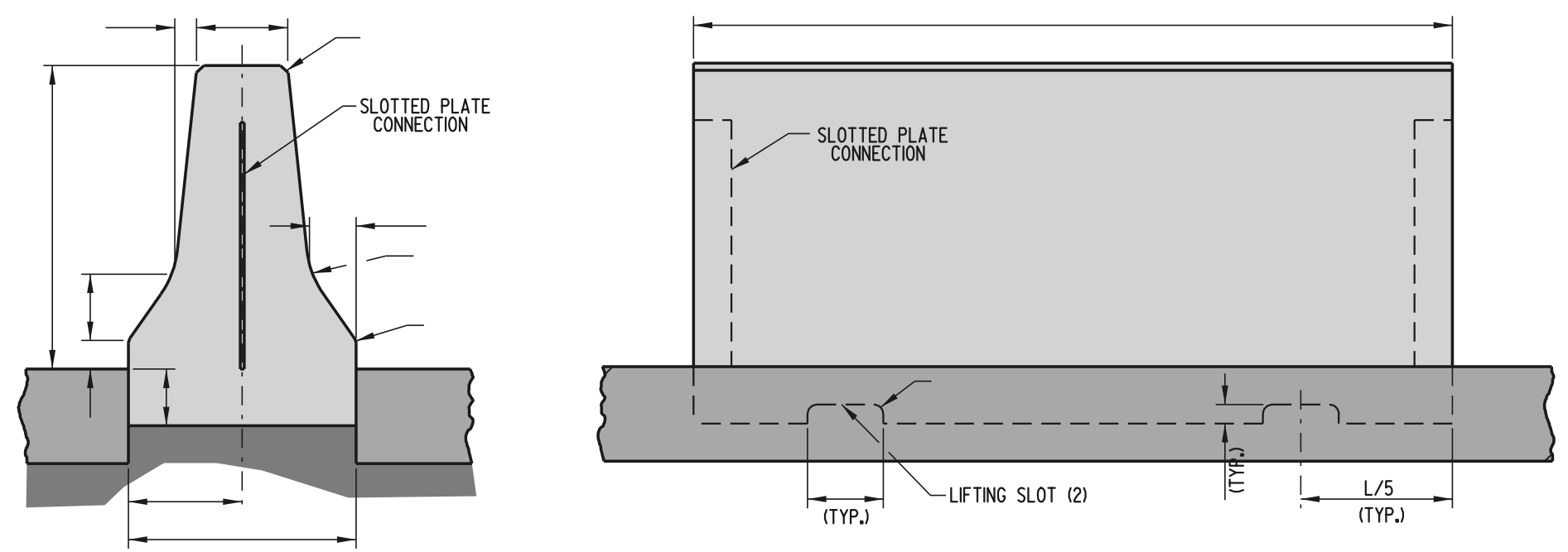


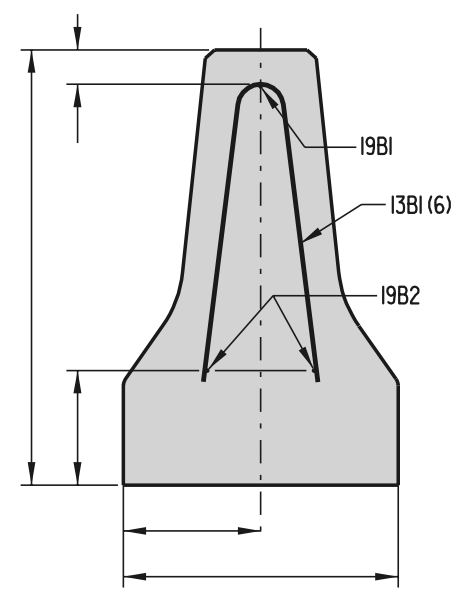
SCALE :



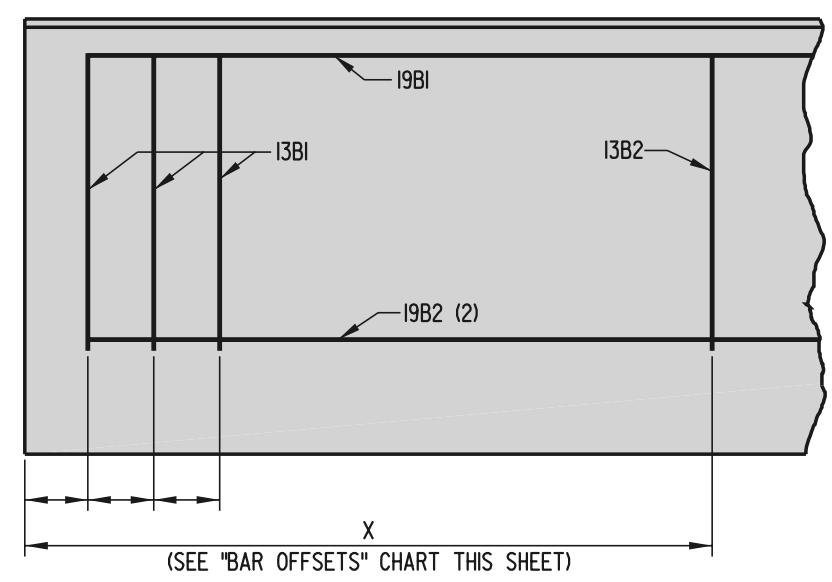
TYPE '1' BAR

TYPICAL PRE-CAST CONSTRUCTION

BAR OFFSETS		
NOMINAL LENGTH OF BARRIER UNIT	"X"	NO. REQ'D FOR EACH BARRIER UNIT
1	1	2
2	2	2
3	3	2
4	4	2
5	5	2
6	6	2
7	7	2
8	8	2
9	9	2
10	10	2



'F' SHAPE BARRIER SECTION



ELEVATION

TYPICAL PRE-CAST REINFORCEMENT DETAILS

BAR LIST							
MARK	SIZE	NUMBER IN EACH SECTION	LENGTH	TYPE	A	B	C
13B1		6		I			
13B2		**		I			
19B1		1	*	STR.			
19B2		2	*	STR.			

*
**

NOTES: 1). CONCRETE CLEAR COVER FOR REINFORCING BARS SHALL



DELAWARE DEPARTMENT OF TRANSPORTATION

CONCRETE SAFETY BARRIER (F SHAPE)
STANDARD NO. **B-14 (97)** SHT. **2** OF **2**

APPROVED _____ DATE _____
CHIEF ENGINEER
RECOMMENDED _____ DATE _____
DESIGN ENGINEER