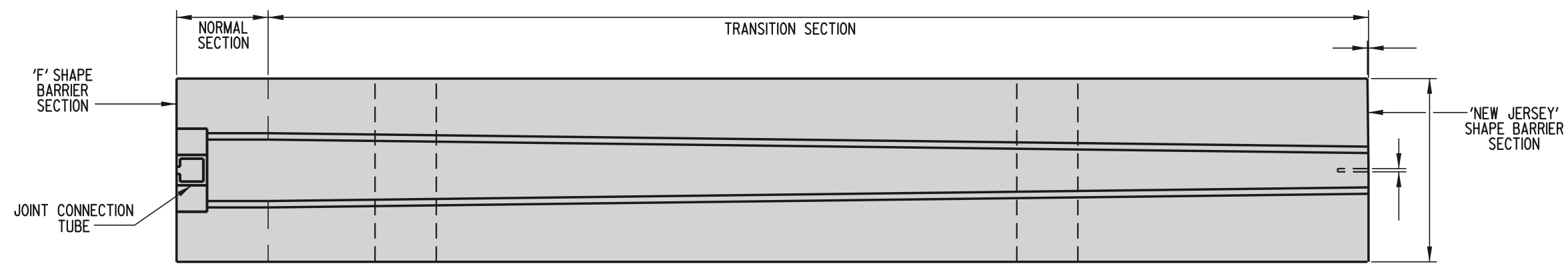
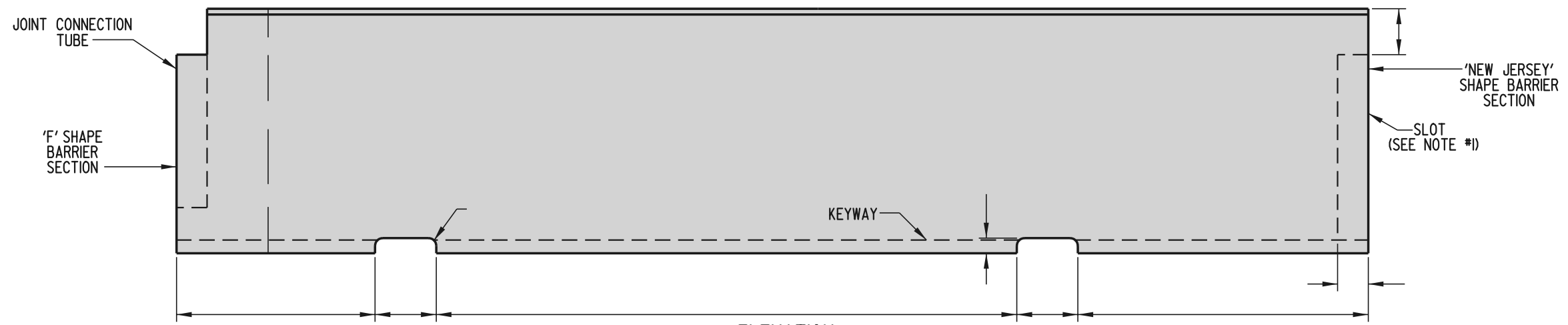


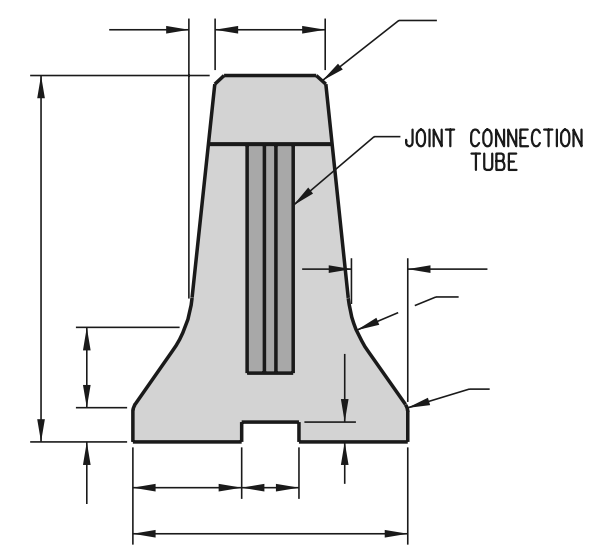
SCALE :



PLAN



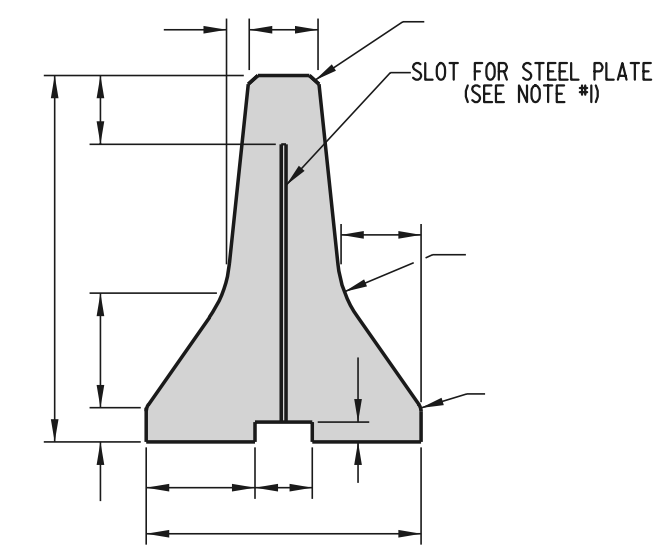
ELEVATION



'F' SHAPE BARRIER SECTION

TRANSITION SECTION

NOTE: 1). SLOT CONNECTION SHALL ONLY BE USED FOR CONNECTING 'NEW JERSEY' SHAPED BARRIER WITH EXISTING SLOT CONNECTION. ONE STEEL PLATE SHALL BE SUPPLIED WITH EACH SAFETY BARRIER.



'NEW JERSEY' SHAPE BARRIER SECTION