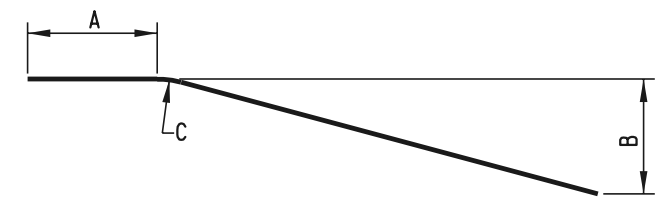


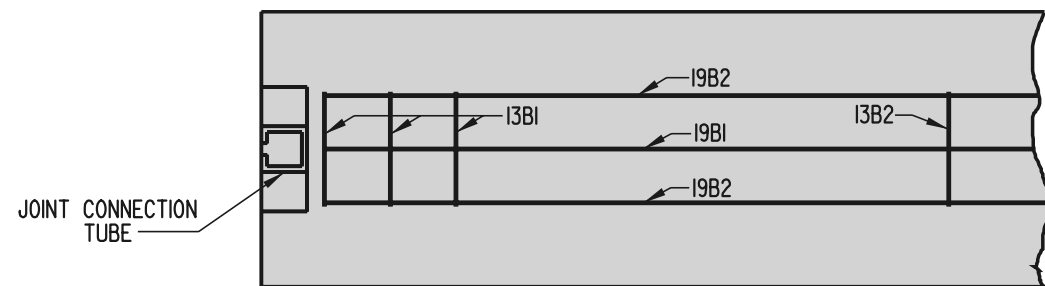
SCALE :

BAR LIST (EACH BARRIER SECTION)								
MARK	SIZE	NUMBER IN EACH SECTION	LENGTH	TYPE	A	B	C	LOCATION
I3B1		6		I				STIRRUPS
I3B2		2		I				STIRRUPS - NOT USED IN END SECTION
I3B3		1		I				STIRRUPS - END SECTION ONLY
I3B4		1		I				STIRRUPS - END SECTION ONLY
I3B5		1		I				STIRRUPS - END SECTION ONLY
I9B1		1	*	STR.				
I9B2		2	*	STR.				
I9B3		1		2				END SECTION ONLY
I9B4		2		STR.				

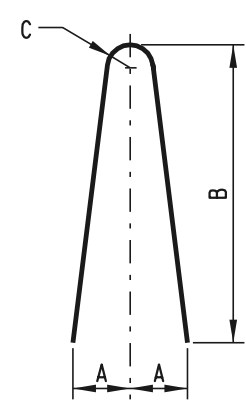
*



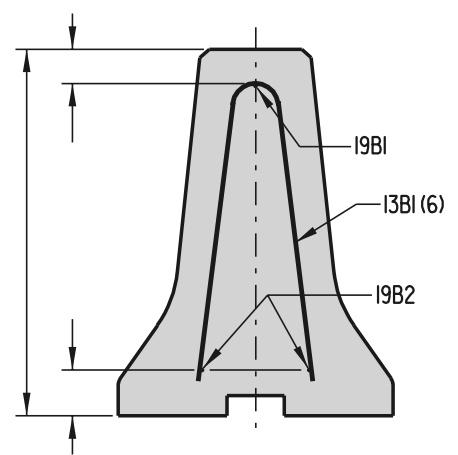
TYPE '2' BAR



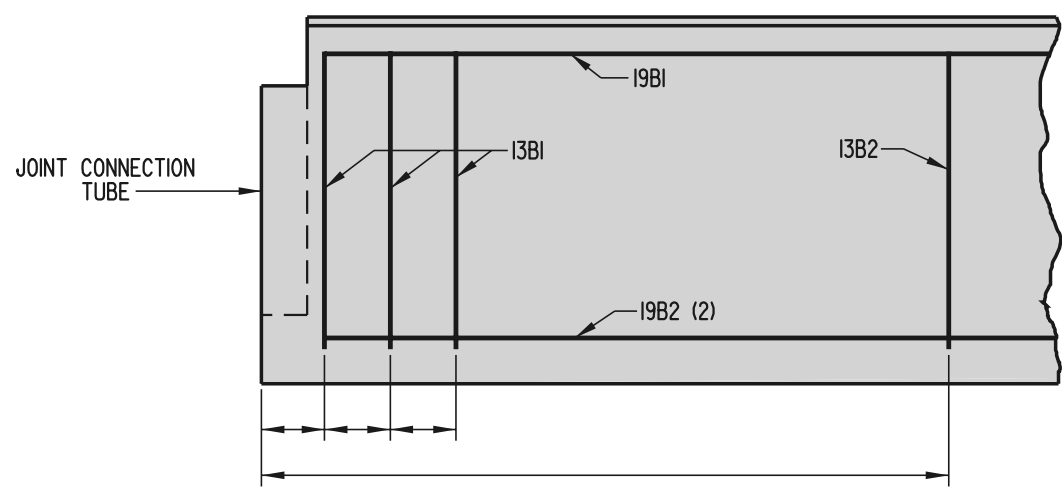
PLAN



TYPE '1' BAR



'F' SHAPE BARRIER SECTION



ELEVATION

TYPICAL REINFORCEMENT DETAILS

ALL DIMENSIONS SHOWN APPLY TO 'F' SHAPE BARRIER SECTION AND 'NEW JERSEY' SHAPED BARRIER SECTION ONLY.



**DELAWARE
DEPARTMENT OF TRANSPORTATION**

PORTABLE CONCRETE SAFETY BARRIER (F SHAPE)

STANDARD NO. B-15 (97)

SHT. 4 OF 5

APPROVED _____
CHIEF ENGINEER DATE

RECOMMENDED _____
DESIGN ENGINEER DATE