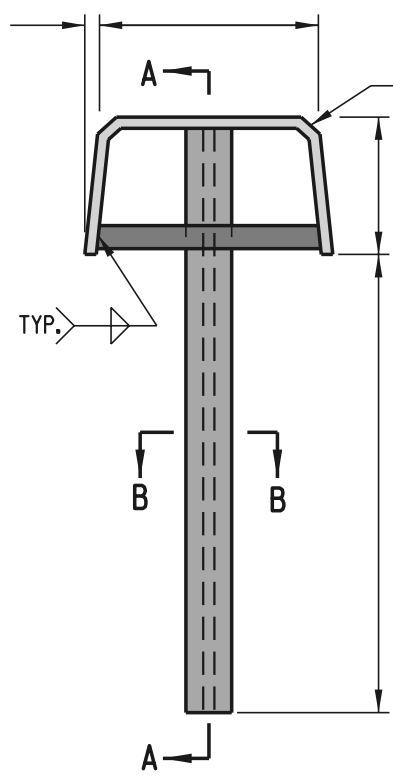
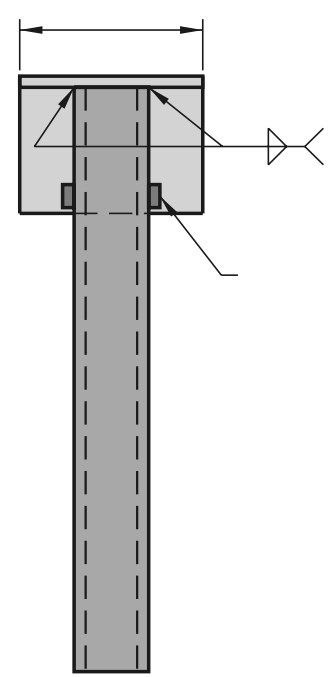


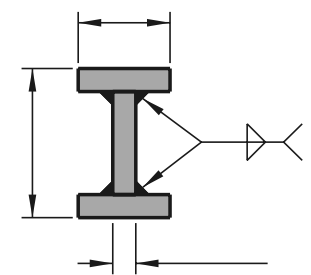
SCALE :



ELEVATION



SECTION A-A



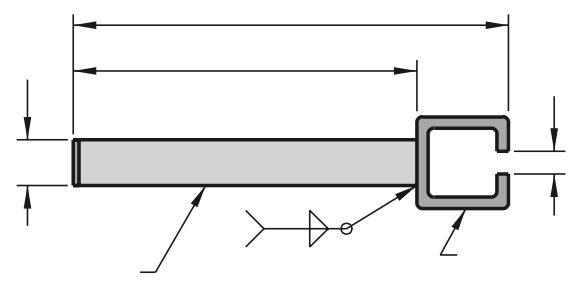
SECTION B-B

NOTES: 1). AFTER A BARRIER UNIT HAS BEEN PLACED AND THE CONNECTION KEY INSERTED, REMOVE ANY SLACK IN THE JOINT BY PULLING THE UNIT IN A DIRECTION PARALLEL TO ITS LONGITUDINAL AXIS.

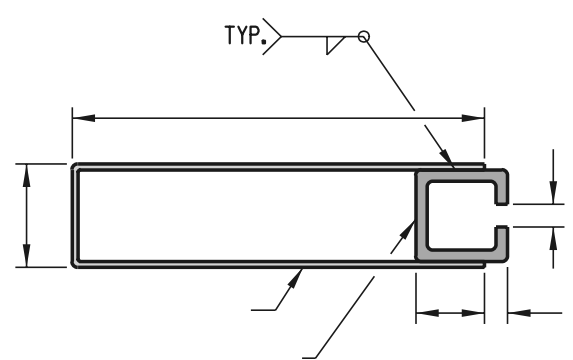


KEY IN PLACE

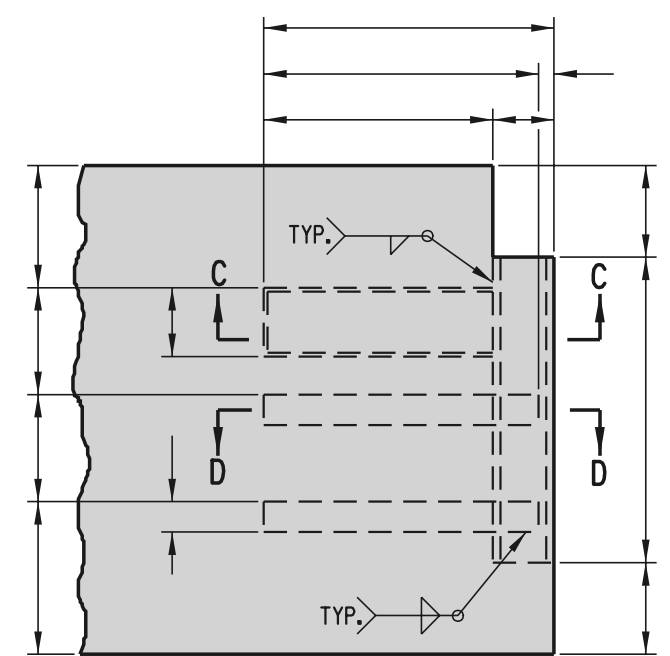
CONNECTION KEY



SECTION C-C



SECTION D-D



ELEVATION

JOINT CONNECTION DETAILS