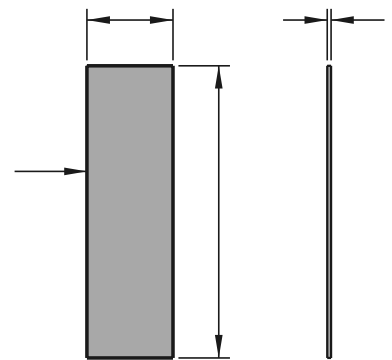
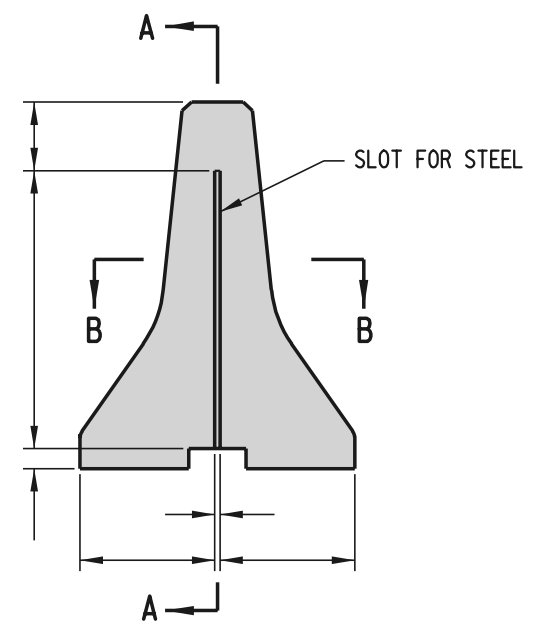


SCALE :

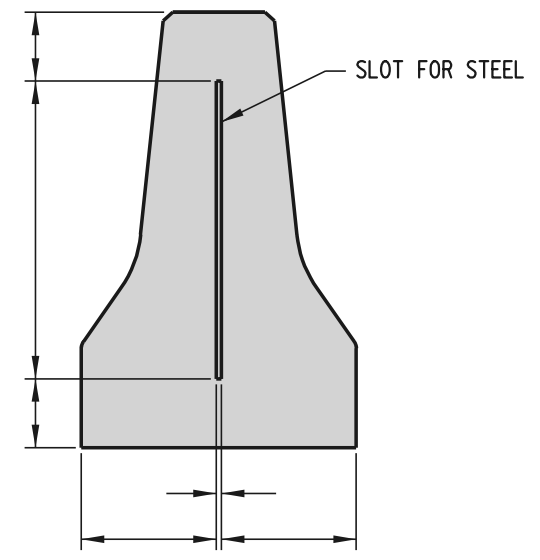


STEEL CONNECTOR PLATE



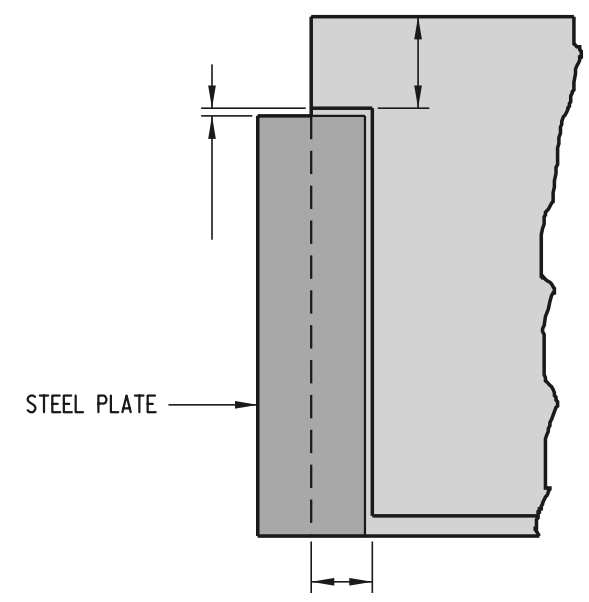
SLOT DIMENSIONS

PORTABLE CONCRETE SAFETY BARRIER TRANSITION
"NEW JERSEY" SHAPE BARRIER SECTION



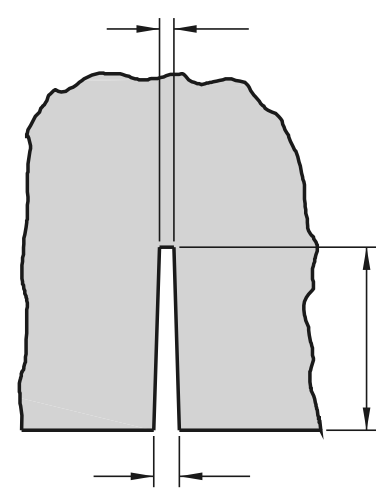
SLOT DIMENSIONS

CONCRETE SAFETY BARRIER, PRECAST CONSTRUCTION
'F' SHAPE BARRIER SECTION



STEEL PLATE

SECTION A-A



SECTION B-B