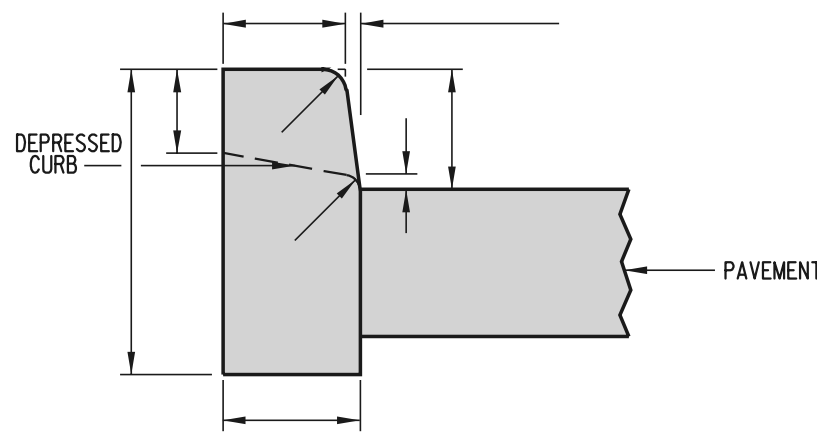
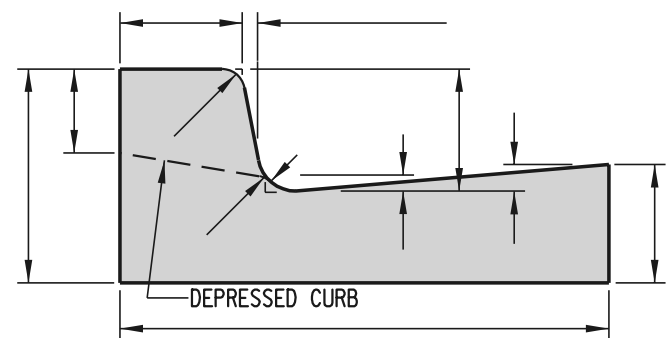


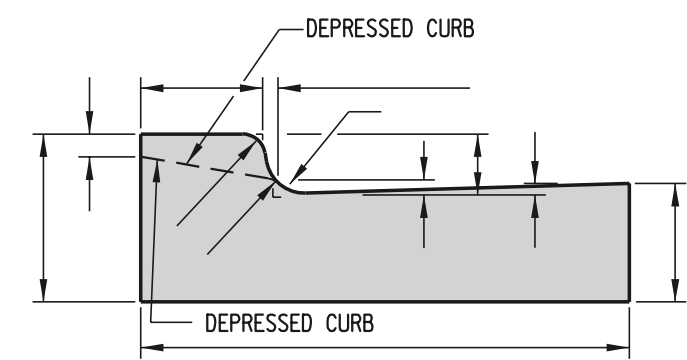
SCALE :



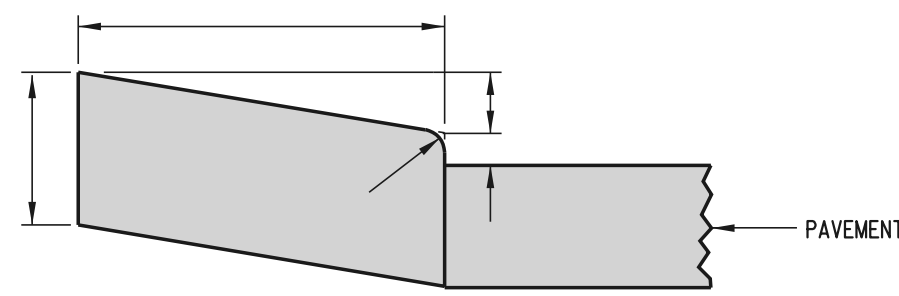
P.C.C. CURB
TYPE 1



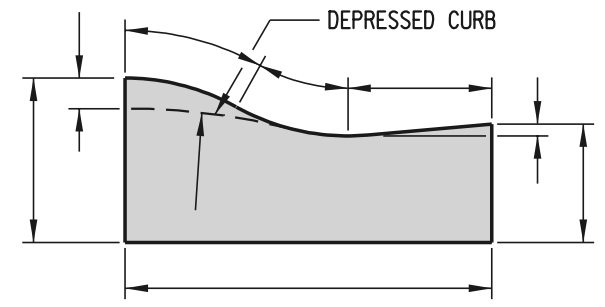
INTEGRAL P.C.C. CURB AND GUTTER
TYPE 1



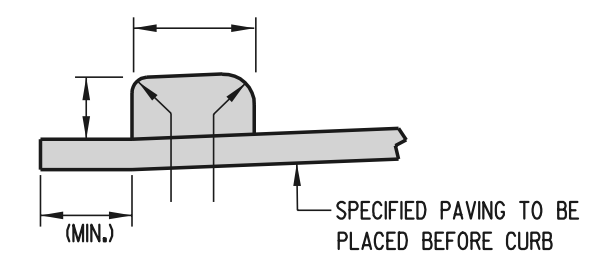
INTEGRAL P.C.C. CURB AND GUTTER
TYPE 4



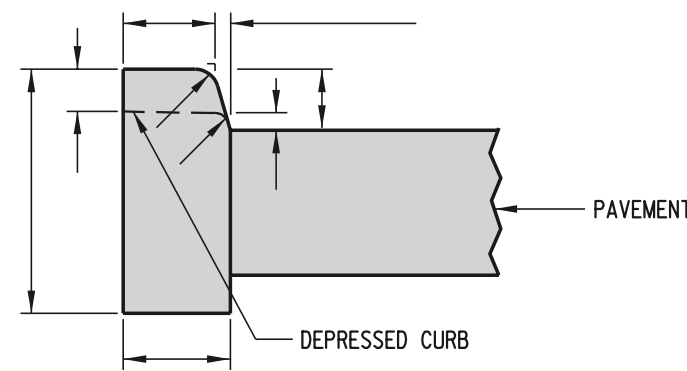
P.C.C. CURB
TYPE 2



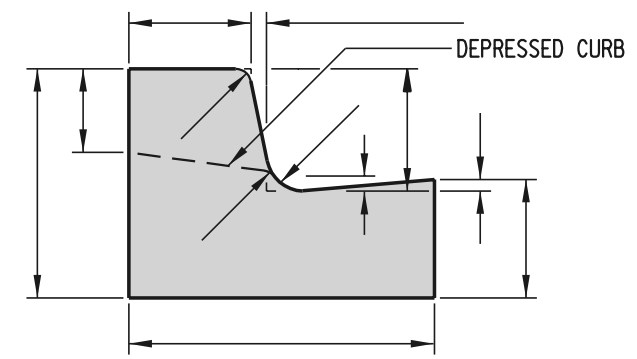
INTEGRAL P.C.C. CURB AND GUTTER
TYPE 2



**HOT-MIX, HOT LAID BITUMINOUS
CONCRETE CURB**



P.C.C. CURB
TYPE 3



INTEGRAL P.C.C. CURB AND GUTTER
TYPE 3

NOTES: 1. WHEN P.C.C. CURB OR INTEGRAL P.C.C. CURB AND GUTTER IS PLACED ADJACENT TO PORTLAND CEMENT CONCRETE PAVEMENT AND THERE IS A SEPARATION, USE APPROVED JOINT FILLER. TO BE PAID UNDER RESPECTIVE CURB AND GUTTER ITEM.

2. DEPRESS CURB AT DRIVEWAYS.