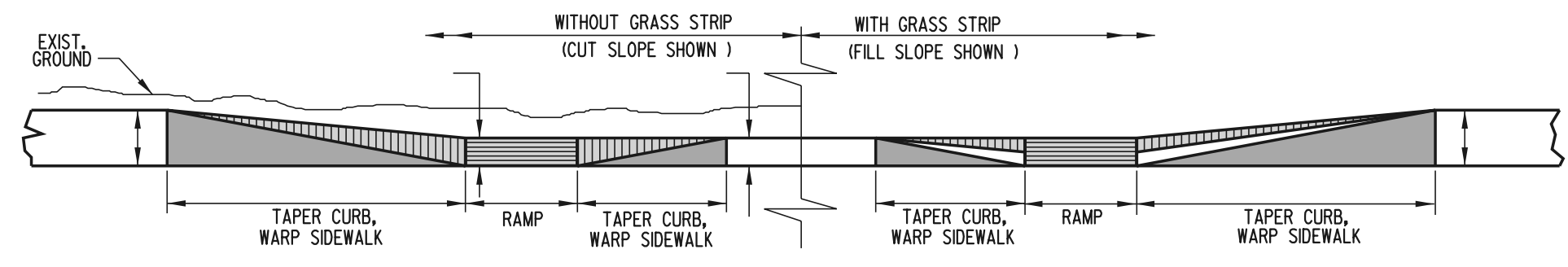
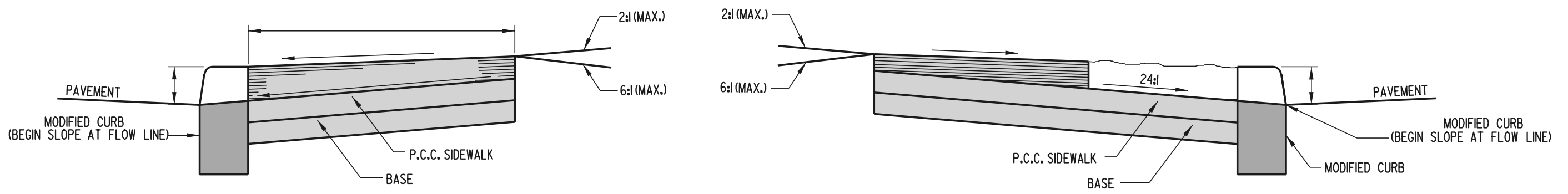


SCALE : N.T.S.

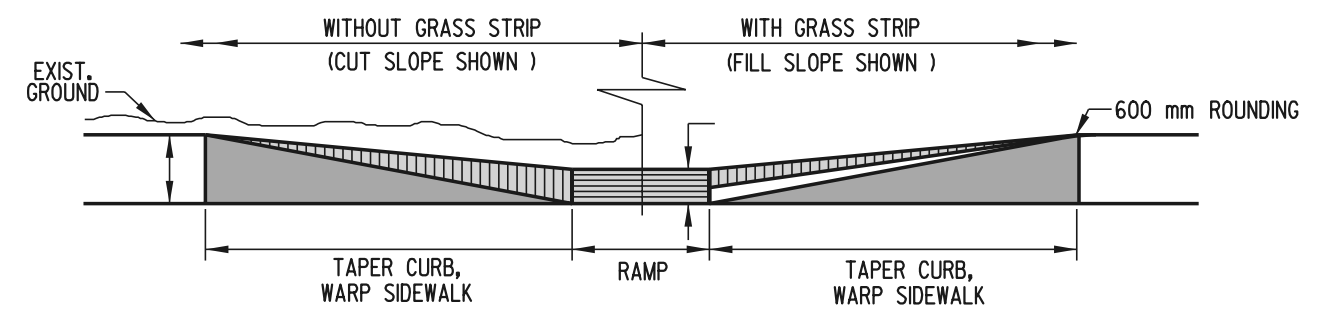


SECTION C-C



SECTION D-D

SECTION E-E



SECTION F-F