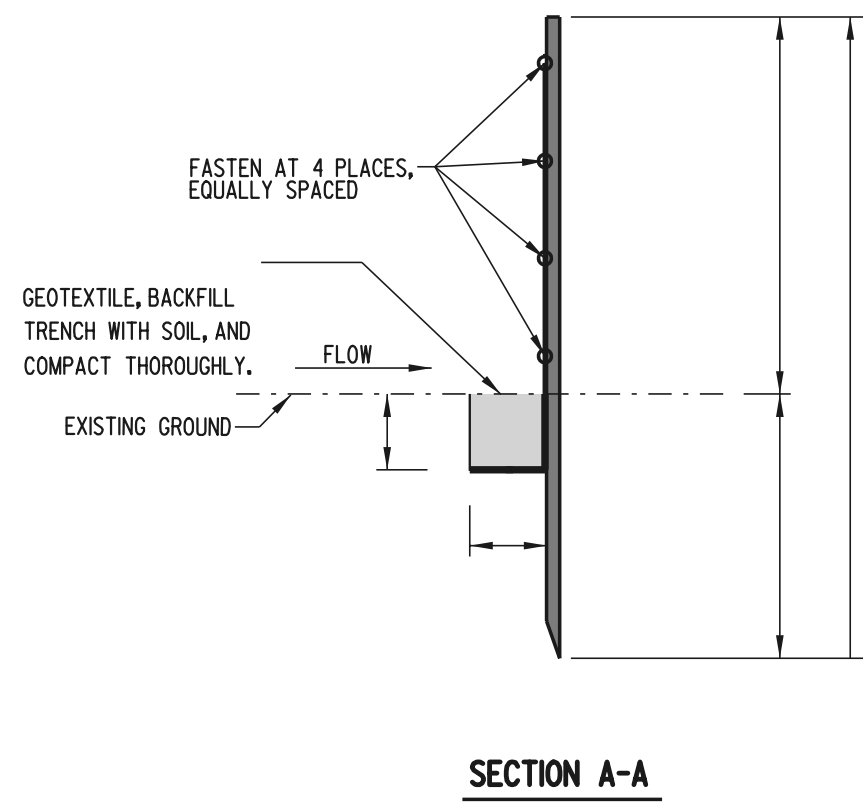
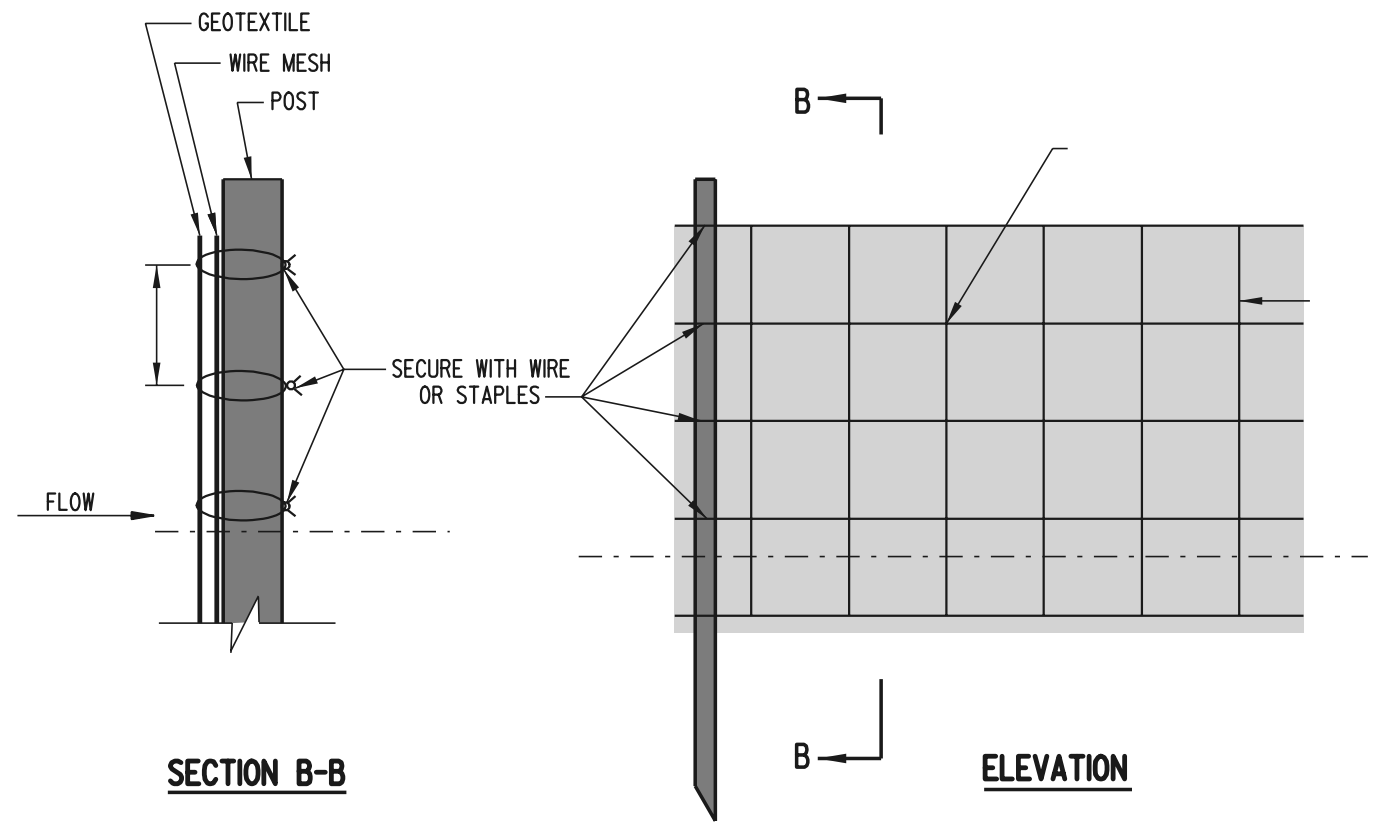
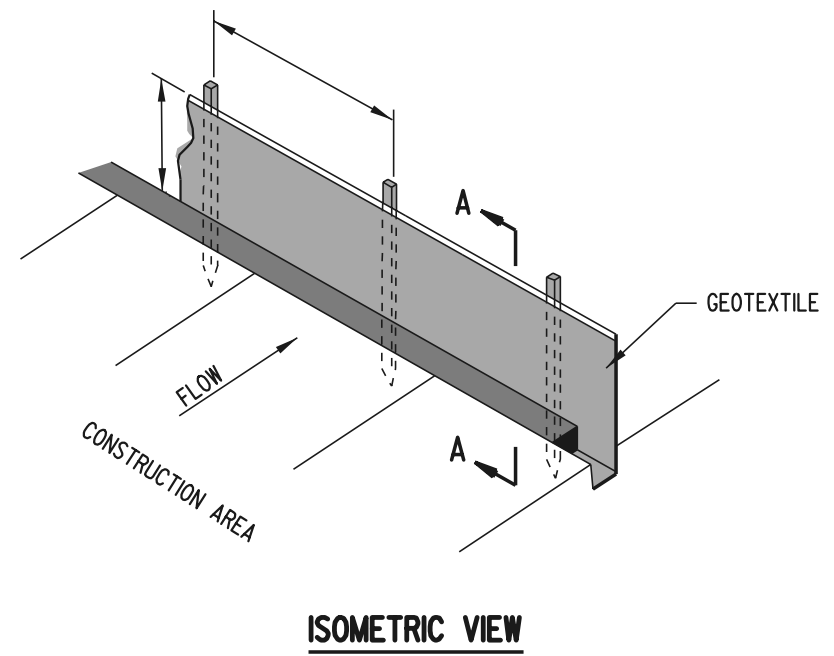


SCALE : N.T.S.



NOTE: THIS DEVICE IS INTENDED TO CONTROL SHEET FLOW ONLY. IT WILL NOT BE USED IN AREAS OF CONCENTRATED FLOW.

