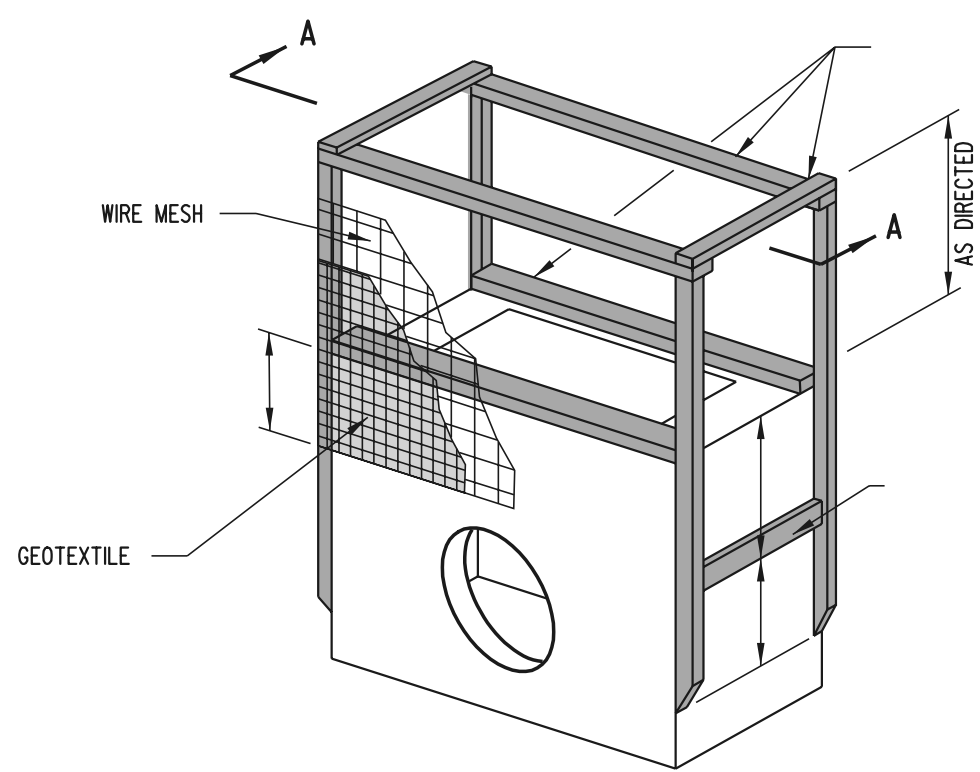
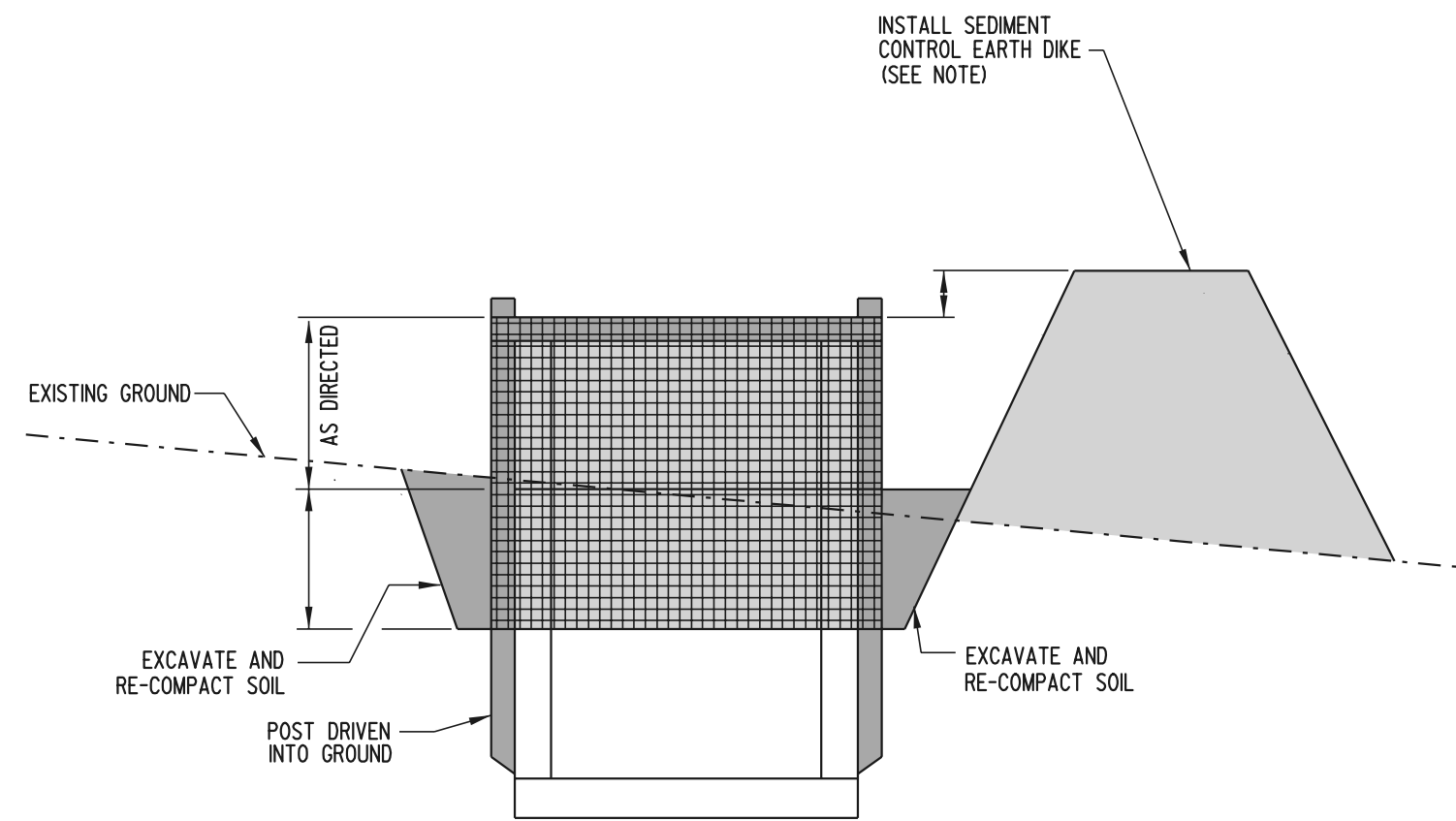


SCALE : N.T.S.



**ISOMETRIC VIEW**



**SECTION A-A**

**NOTE:** IF THE INLET IS NOT IN A LOW POINT, CONSTRUCT A SEDIMENT CONTROL EARTH DIKE IN THE DITCHLINE DOWNSTREAM FROM IT. SEE STANDARD SHEET FOR ADDITIONAL INFORMATION.

**PLAN SYMBOL**



**DELAWARE  
DEPARTMENT OF TRANSPORTATION**

<b>INLET SEDIMENT CONTROL</b>			
STANDARD NO.	<b>E-3 (97)</b>	SHT. <b>1</b>	OF <b>1</b>

<b>APPROVED</b>	_____	DATE _____
<small>CHIEF ENGINEER</small>		
<b>RECOMMENDED</b>	_____	DATE _____
<small>DESIGN ENGINEER</small>		