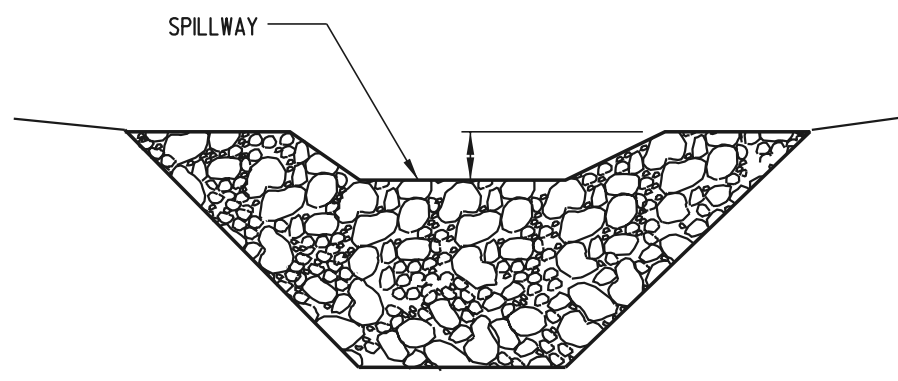
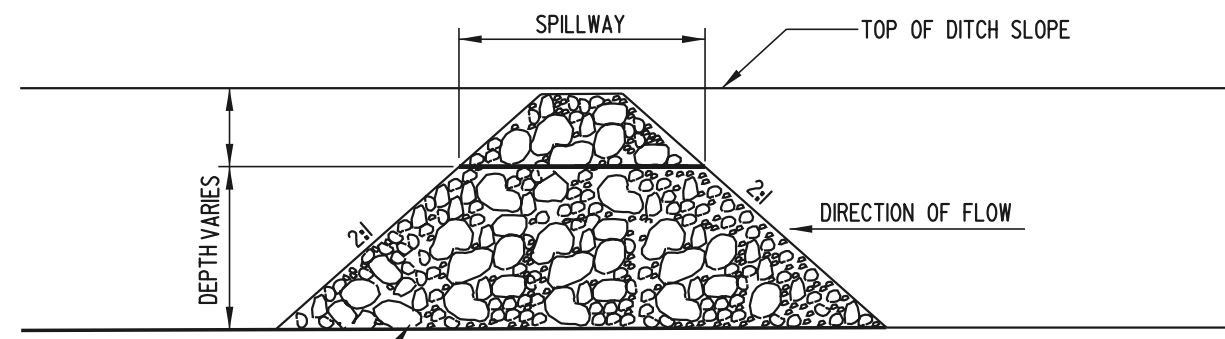


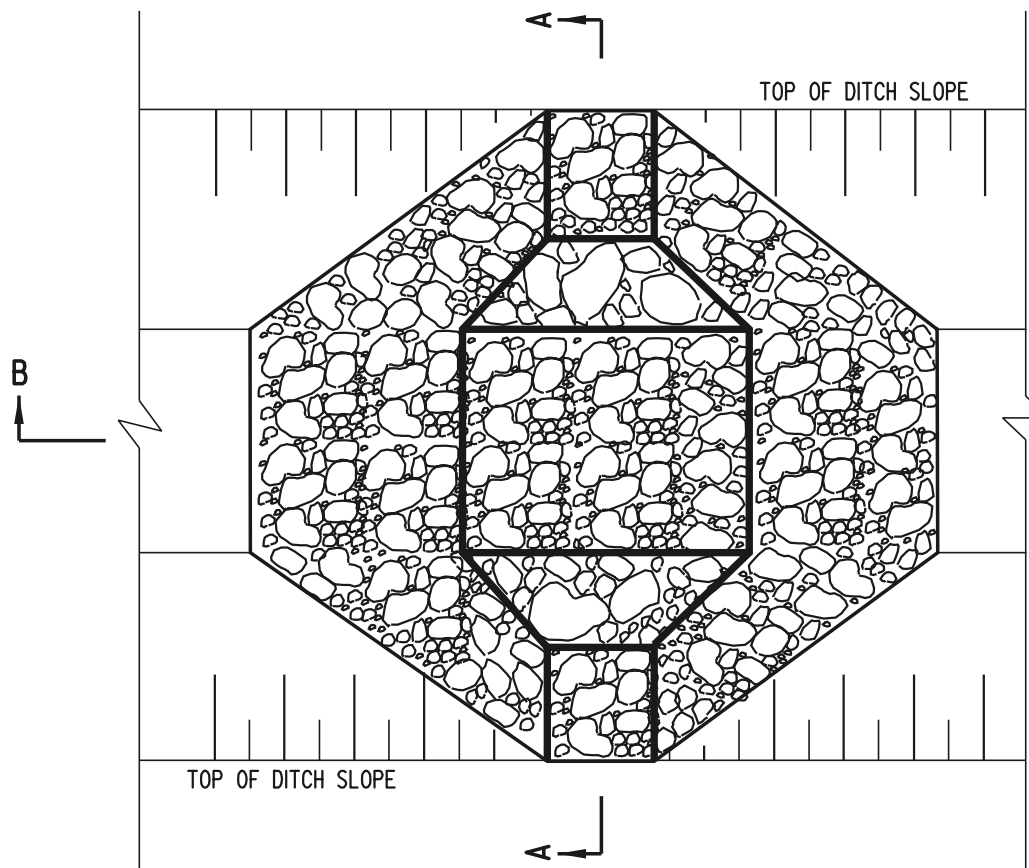
SCALE : N.T.S.



SECTION A-A

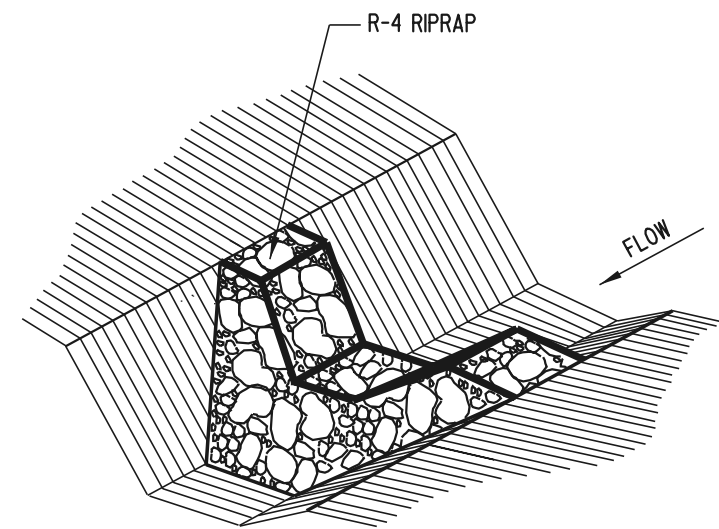


SECTION B-B



PLAN

DIRECTION OF FLOW



ISOMETRIC VIEW

- NOTES:**
- 1). STONE CHECK DAMS ARE INTENDED FOR USE IN EXISTING, PROPOSED, AND TEMPORARY DITCHES OF ALL TYPES AS SHOWN ON PLANS OR AS DIRECTED BY THE ENGINEER.
 - 2). FOR DITCHES LESS THAN 750 mm IN DEPTH, PLACE DAM AS DIRECTED.

PLAN SYMBOL

