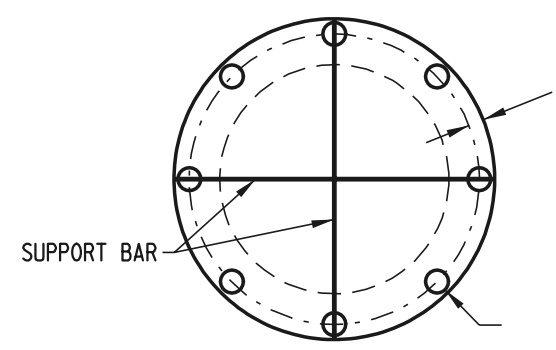
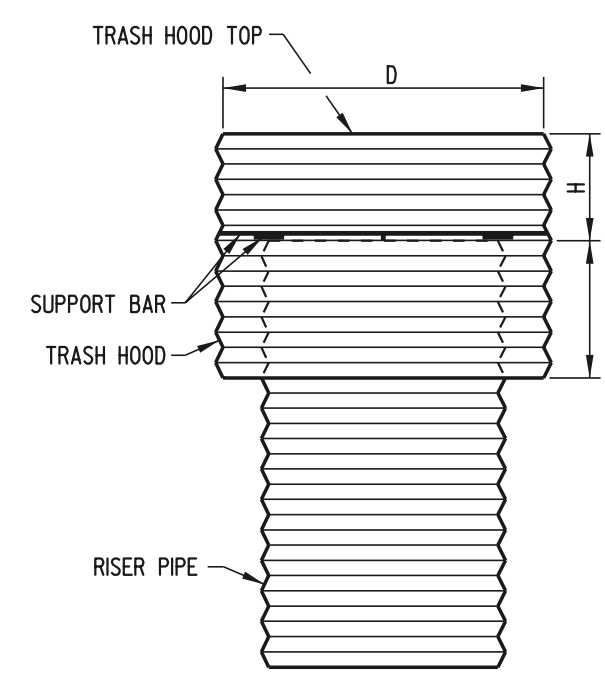


SCALE : N.T.S.

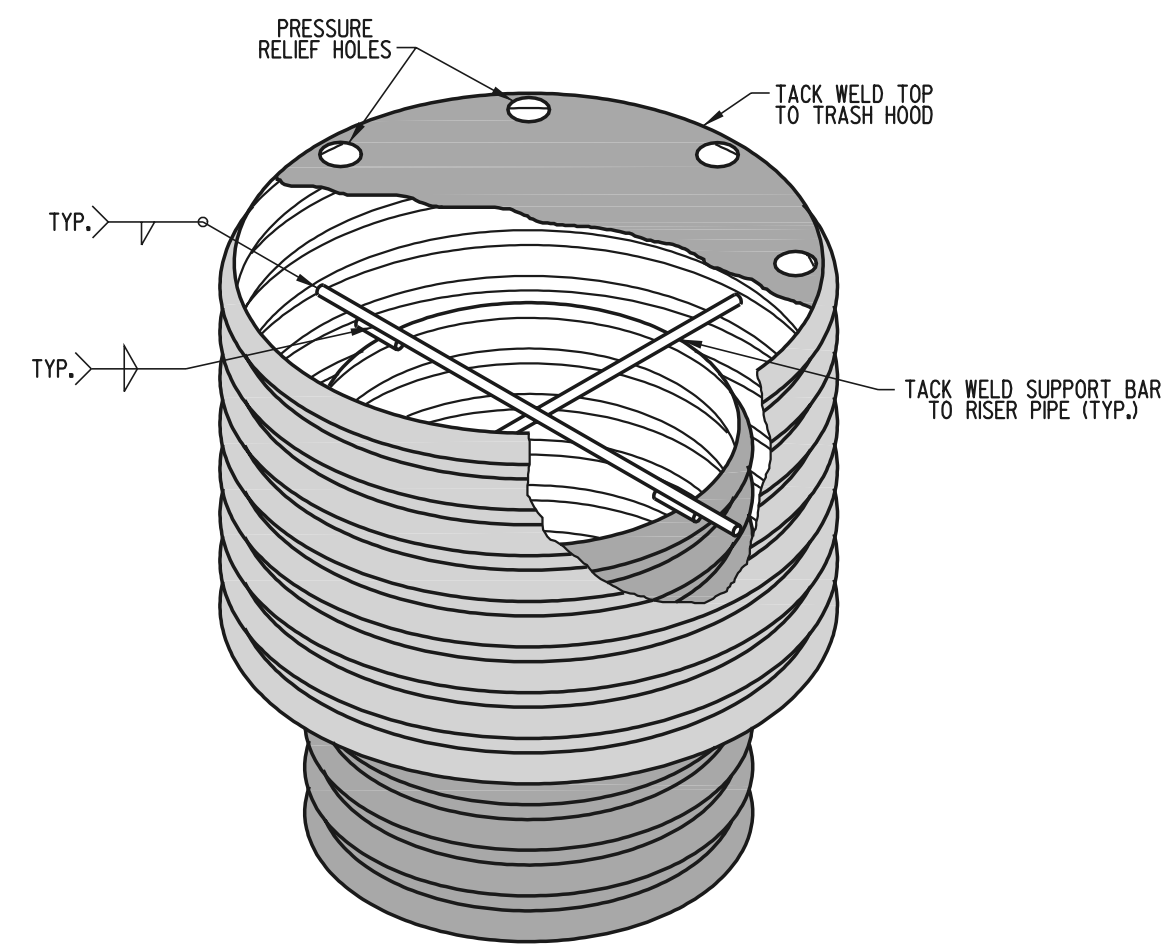


PLAN

TRASH HOOD CHART					
RISER PIPE DIAMETER	D	H	TRASH HOOD THICK. (GAGE)	MINIMUM SIZE SUPPORT BAR	MINIMUM TOP THICK. (GAGE)
			16		16
			16		16
			16		16
			16		14
			16		14
			14		12



FRONT



ISOMETRIC

TRASH HOOD DETAILS

PLAN SYMBOL



**DELAWARE
DEPARTMENT OF TRANSPORTATION**

SEDIMENT TRAP, USING RISER PIPE AS OUTLET
STANDARD NO. E-8 (97) SHT. 2 OF 2

APPROVED _____ DATE _____
CHIEF ENGINEER
RECOMMENDED _____ DATE _____
DESIGN ENGINEER