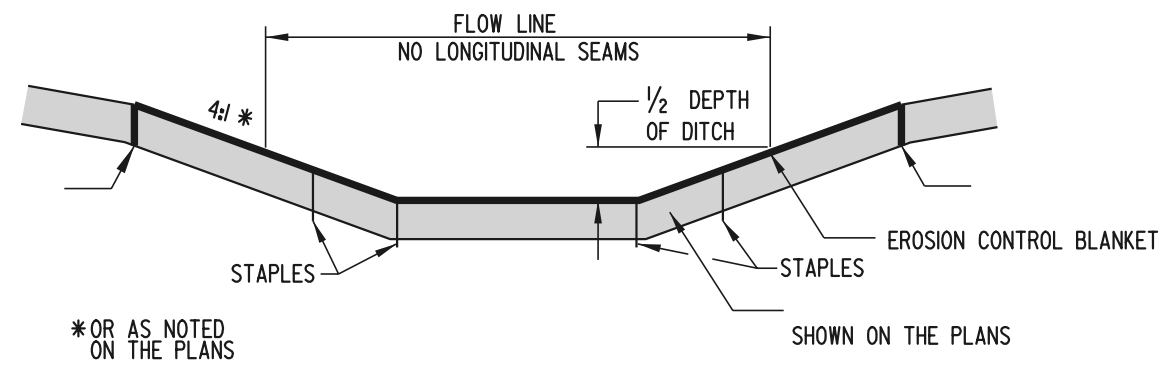
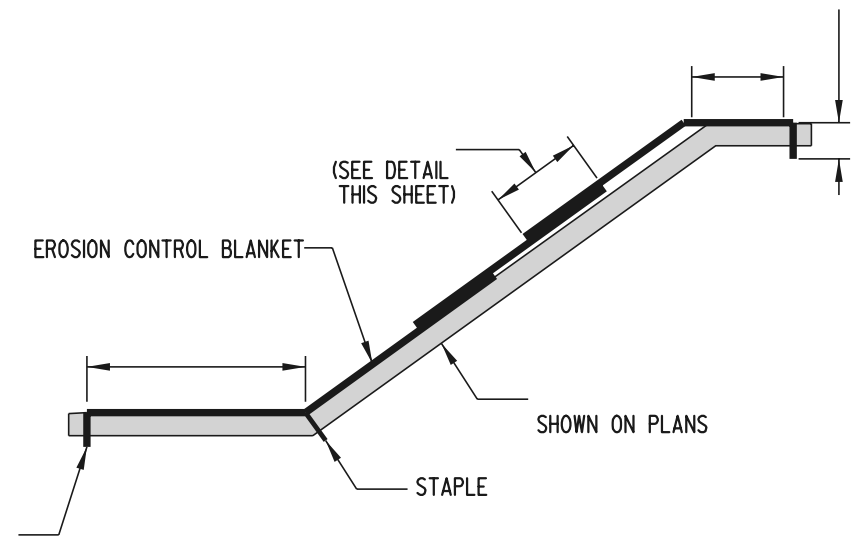


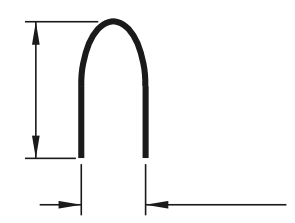
SCALE : N.T.S.



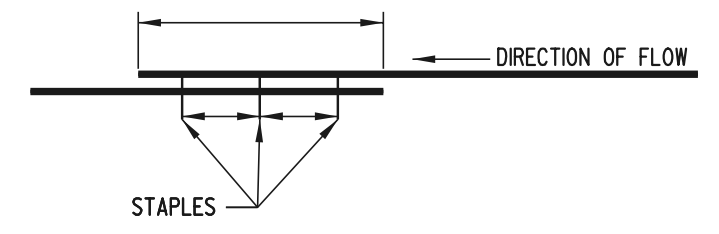
**STABILIZATION OF DITCHES  
SECTION A-A**



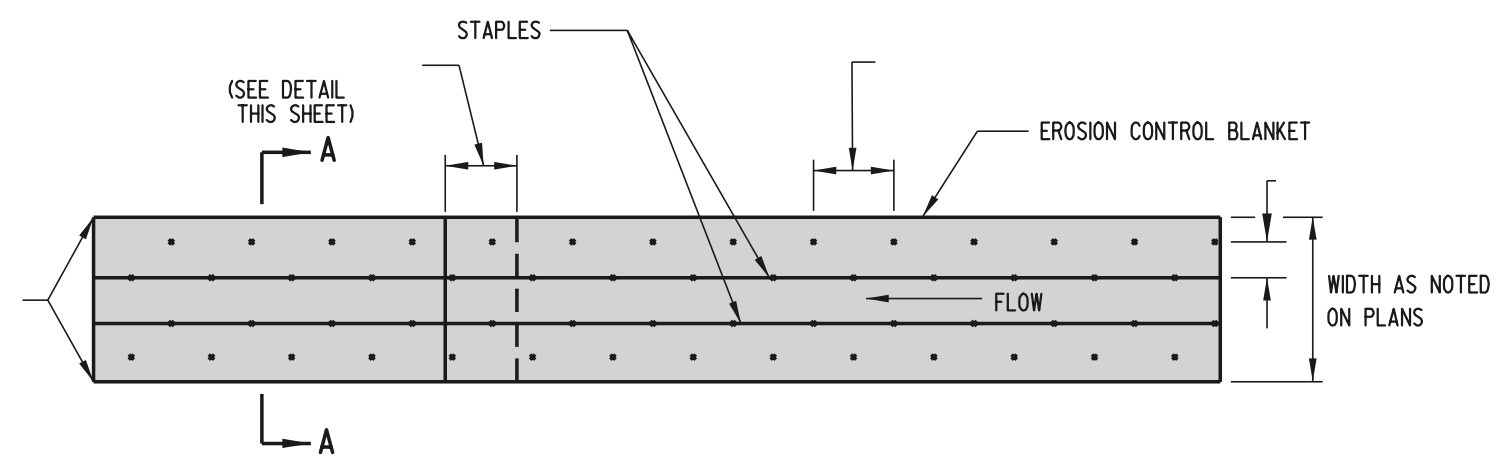
**STABILIZATION OF EMBANKMENTS**



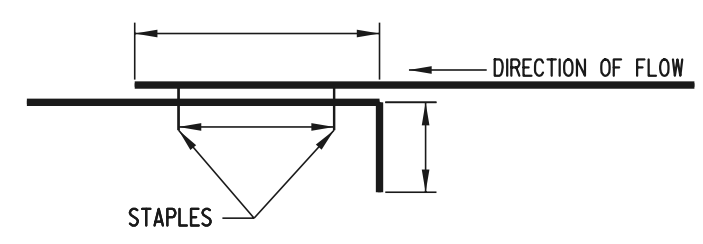
**STAPLE DETAIL**



**OVERLAP DETAIL**



**STABILIZATION OF DITCHES  
PLAN**



**KEYED OVERLAP DETAIL**

**PLAN SYMBOL**

