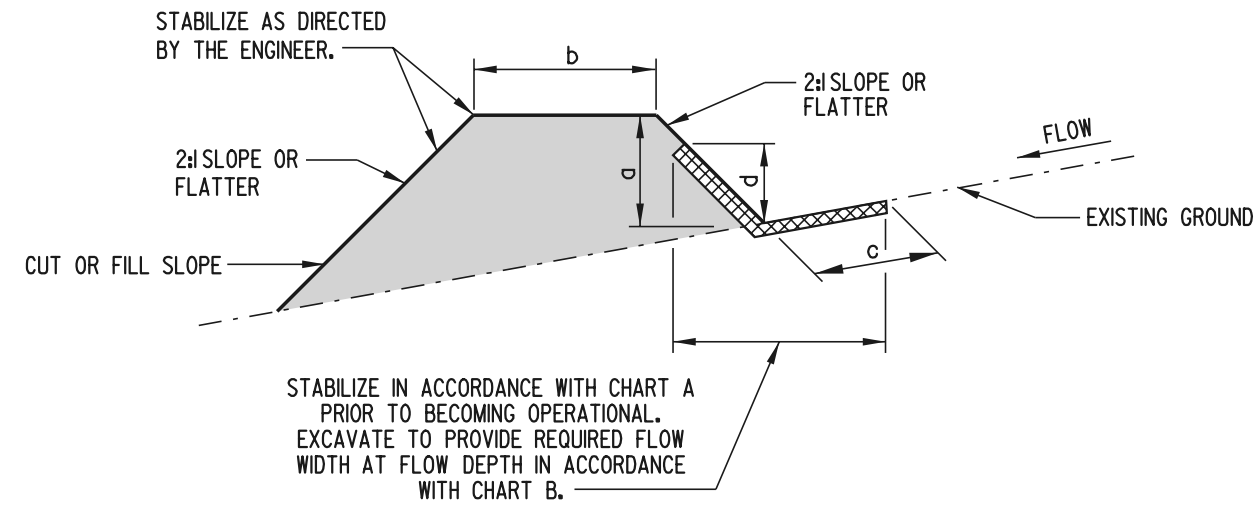


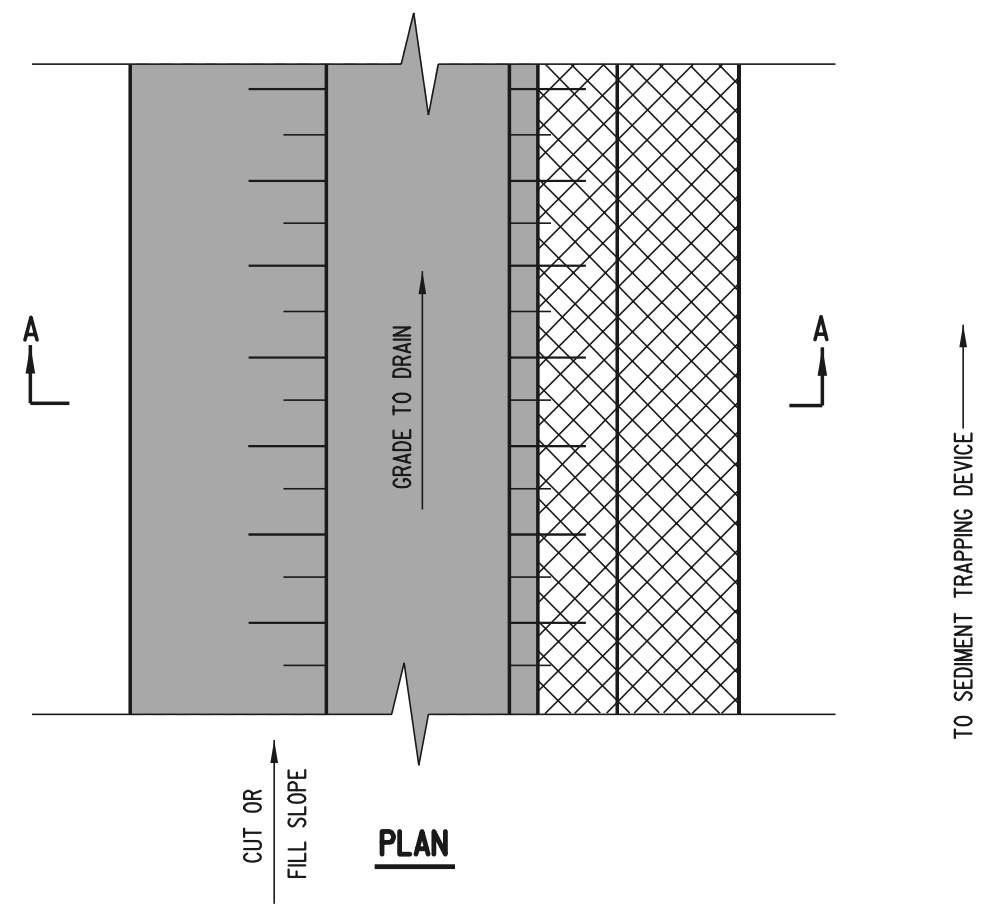
SCALE : N.T.S.



STABILIZE IN ACCORDANCE WITH CHART A PRIOR TO BECOMING OPERATIONAL. EXCAVATE TO PROVIDE REQUIRED FLOW WIDTH AT FLOW DEPTH IN ACCORDANCE WITH CHART B.

CHART A - FLOW CHANNEL STABILIZATION			
TYPE	CHANNEL GRADE	TYPE OF TREATMENT	
		DIKE A	DIKE B
1	0.5-2.0%	SEED AND STRAW MULCH	SEED AND EROSION CONTROL BLANKET
2	2.1-8.0%	SEED AND EROSION CONTROL BLANKET	LINED R-4 RIPRAP
3	8.1-20%	LINED R-4 RIPRAP	ENGINEERING DESIGN

SECTION A-A



PLAN

CHART B - EARTH DIKE DIMENSIONS		
SYMBOL	DIKE A	DIKE B
a-DIKE HEIGHT		
b-DIKE WIDTH		
c-FLOW WIDTH		
d-FLOW DEPTH		

- NOTES:**
- 1). IF DESIRED, TOP WIDTH MAY BE WIDER AND SIDE SLOPES MAY BE FLATTER TO FACILITATE CROSSING BY CONSTRUCTION TRAFFIC.
 - 2). FIELD LOCATION SHOULD BE ADJUSTED AS NEEDED TO INSURE A STABILIZED OUTFALL.
 - 3). ANY MATERIALS NEEDED TO CONSTRUCT AN EARTH DIKE SHALL MEET THE REQUIREMENTS OF BORROW, TYPE F.

PLAN SYMBOL

