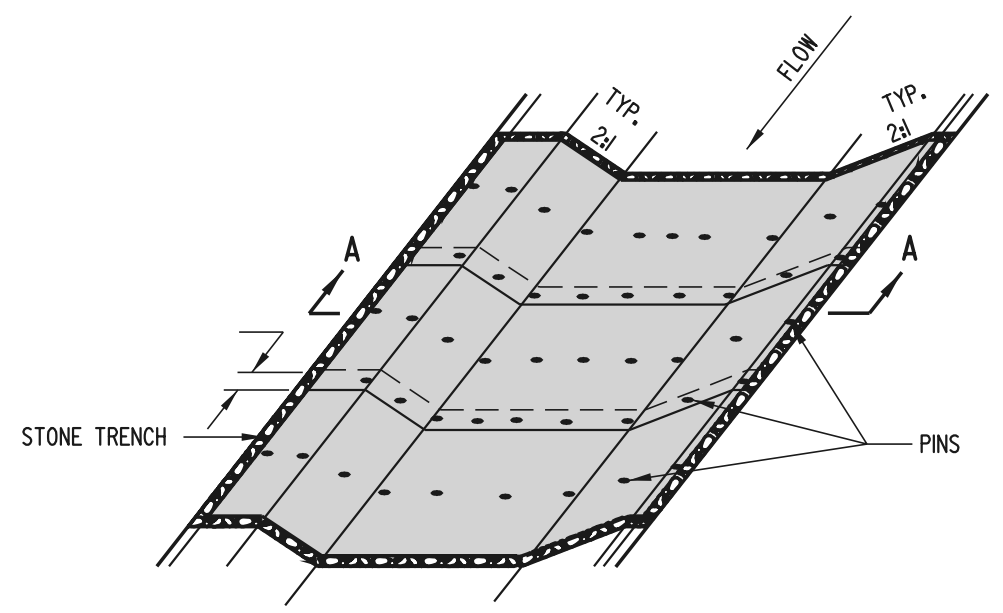
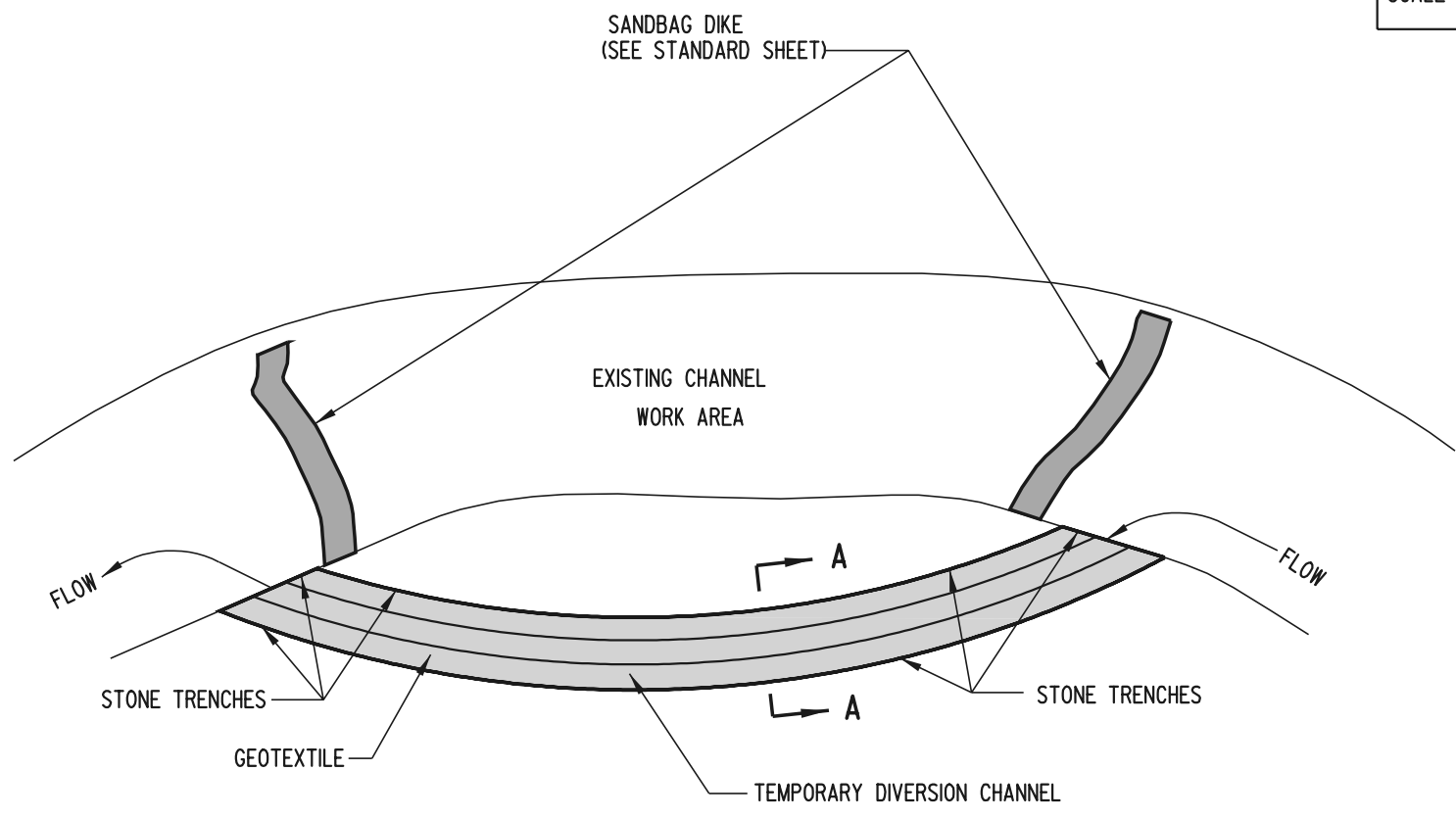


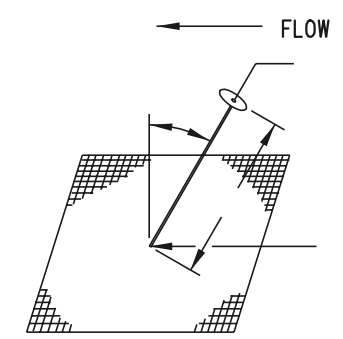
SCALE : N.T.S.



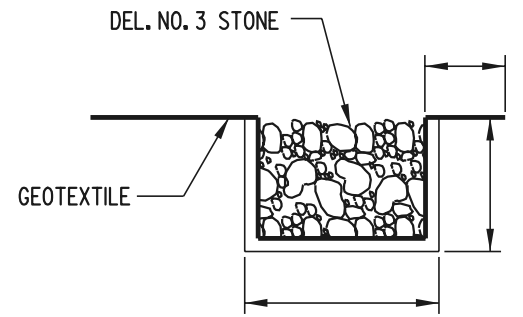
OBLIQUE VIEW



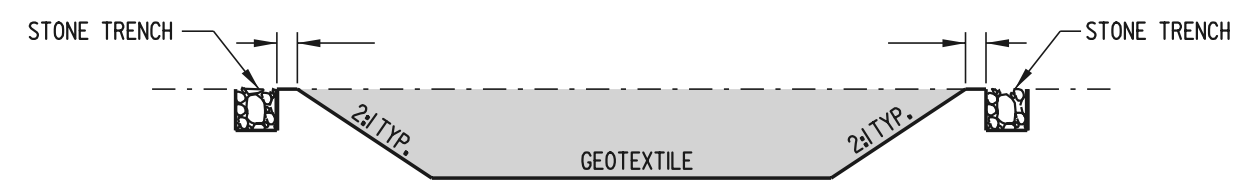
PLAN



FASTENING DETAIL



TRENCHING DETAIL



SECTION A-A

PLAN SYMBOL

