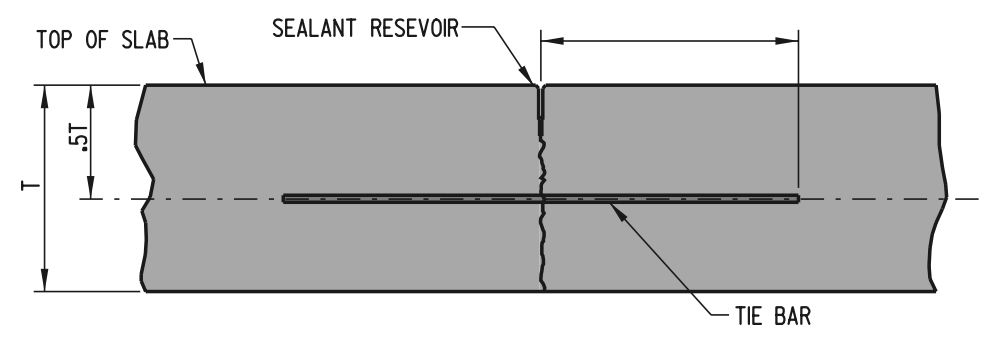
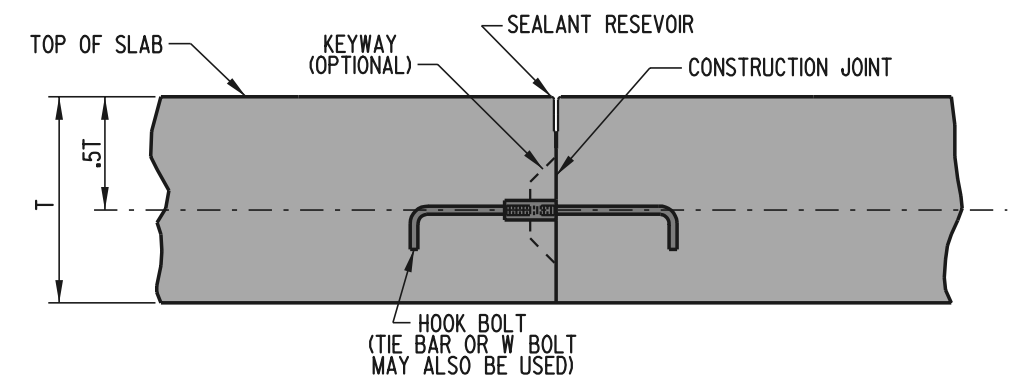


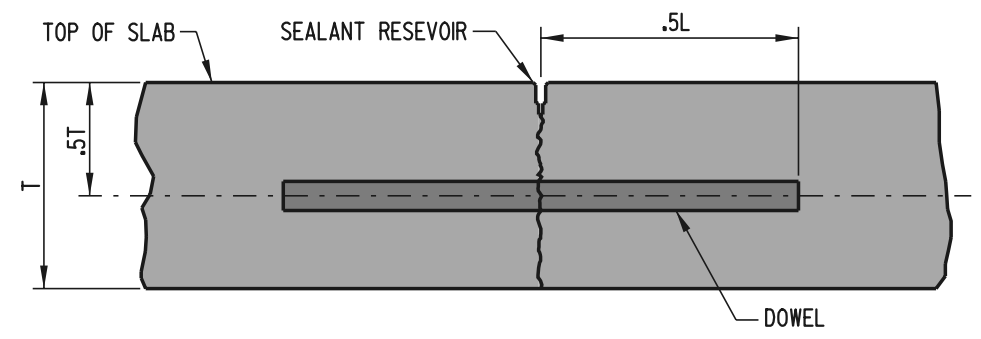
SCALE :



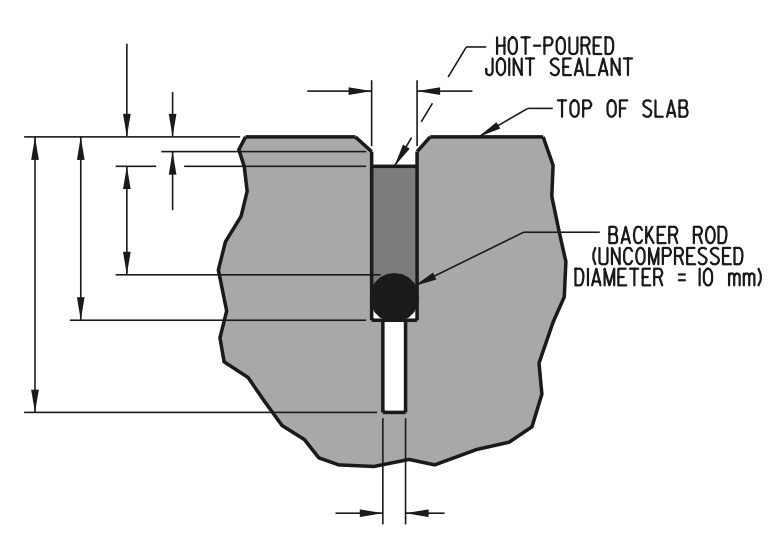
LOGITUDINAL SAW-CUT JOINT DETAIL



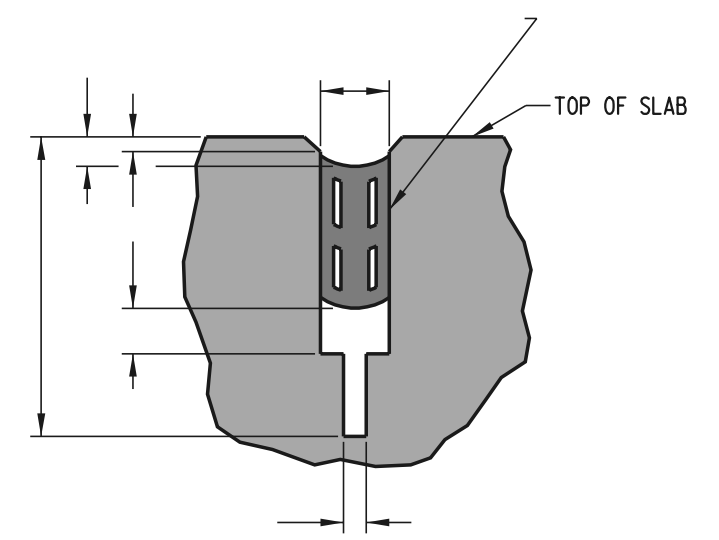
LOGITUDINAL CONSTRUCTION JOINT DETAIL



TRANSVERSE SAW-CUT JOINT DETAIL



**SEALANT DETAIL-
LONGITUDINAL JOINT**



**SEALANT DETAIL-
TRANSVERSE JOINT**

NOTES:

- 2). "T" REFERS TO THE ACTUAL CONSTRUCTED SLAB THICKNESS.
- 3). TOLERANCE ON ALL JOINT SEALANT DETAIL DIMENSIONS SHOWN WITHOUT RANGES SHALL BE PLUS 2 mm,
- 4). THE TOP EDGES OF THE CONTACT SURFACES OF THE SEALANT MATERIAL ON BOTH SIDED OF THE JOINT
- 5). TRANSVERSE JOINT MATERIAL SHALL BE PLACED BEFORE LONGITUDINAL JOINT MATERIAL; THE TRANSVERSE

JOINT AND SEALANT DETAILS



**DELAWARE
DEPARTMENT OF TRANSPORTATION**

P.C.C. PAVEMENT			
STANDARD NO.	P-1 (97)	SHT. 2	OF 5

APPROVED	_____	_____
	<small>CHIEF ENGINEER</small>	<small>DATE</small>
RECOMMENDED	_____	_____
	<small>DESIGN ENGINEER</small>	<small>DATE</small>