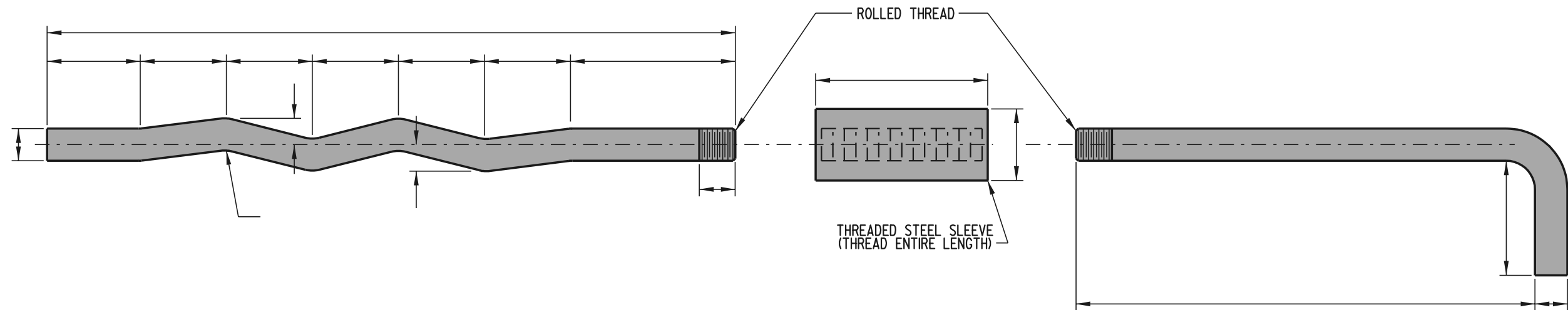
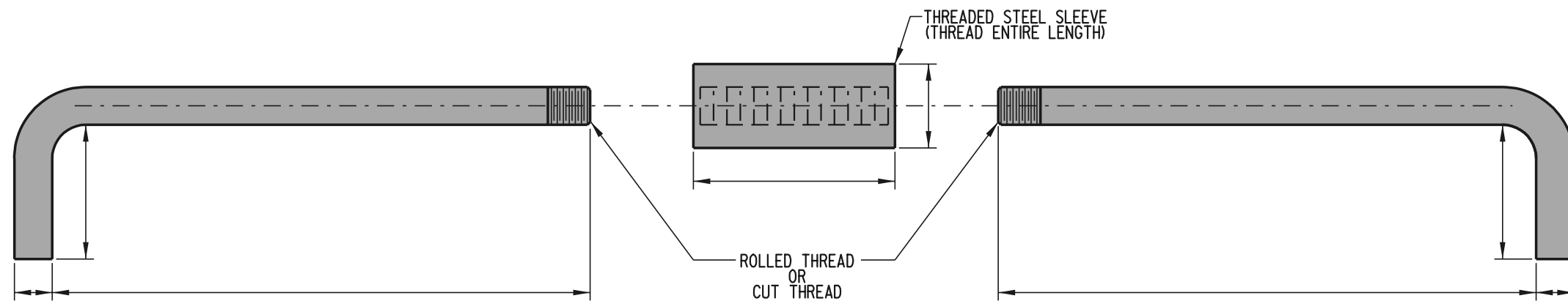


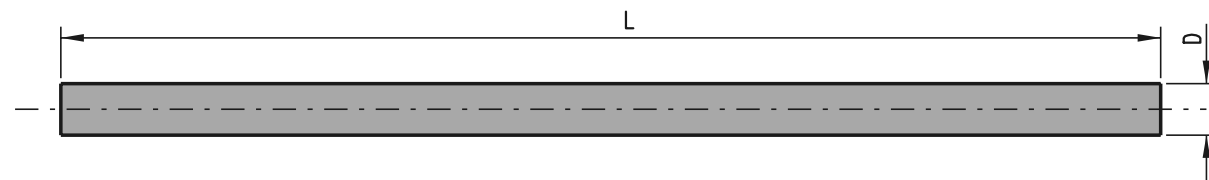
SCALE :



W BOLT



HOOK BOLT



DOWEL & TIE BAR

| DOWEL & TIE BAR CHART | | | | |
|-----------------------|-------|---|---------|---|
| SLAB THICKNESS | DOWEL | | TIE BAR | |
| | D | L | D | L |
| 250 | | | | |
| 300 | | | | |



DELAWARE
DEPARTMENT OF TRANSPORTATION

P.C.C. PAVEMENT

STANDARD NO. **P-1 (97)**

SHT. **3** OF **5**

APPROVED

CHIEF ENGINEER _____ DATE _____

RECOMMENDED

DESIGN ENGINEER _____ DATE _____