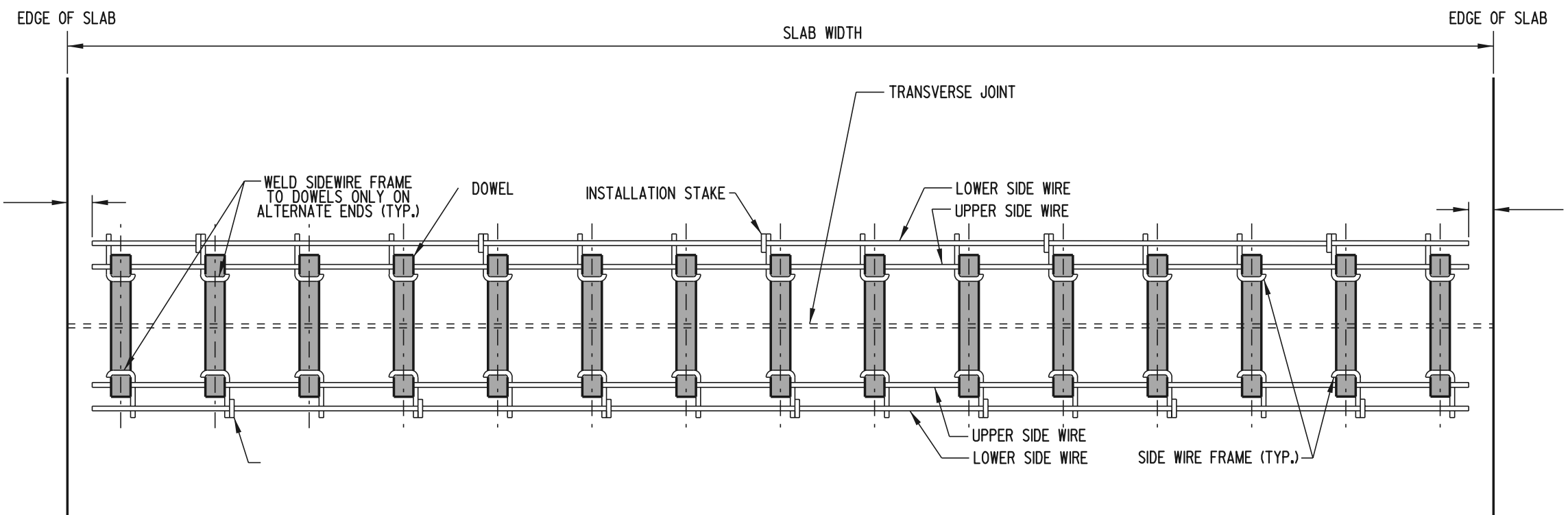
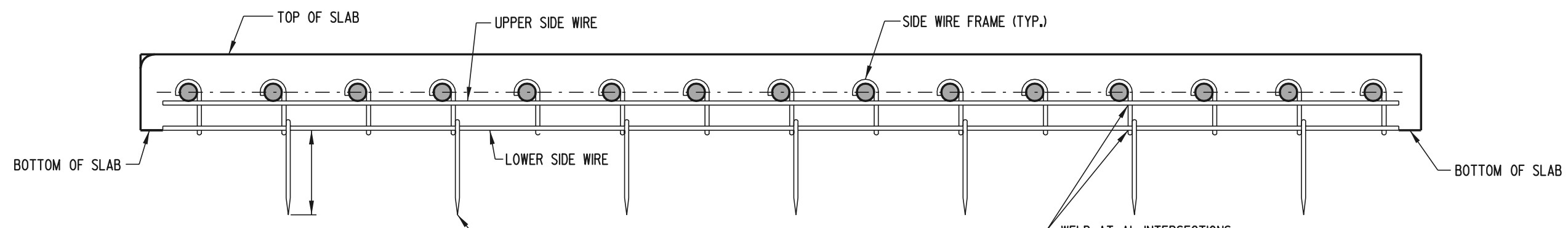


SCALE :



PLAN



WELD AT ALL INTERSECTIONS OF THE SIDE WIRE FRAME AND THE UPPER AND LOWER SIDE WIRES (TYP.)

ELEVATION

DOWEL SUPPORT BASKET



DELAWARE
DEPARTMENT OF TRANSPORTATION

P.C.C. PAVEMENT

STANDARD NO. **P-1 (97)** SHT. **4** OF **5**

APPROVED _____ DATE _____
CHIEF ENGINEER

RECOMMENDED _____ DATE _____
DESIGN ENGINEER