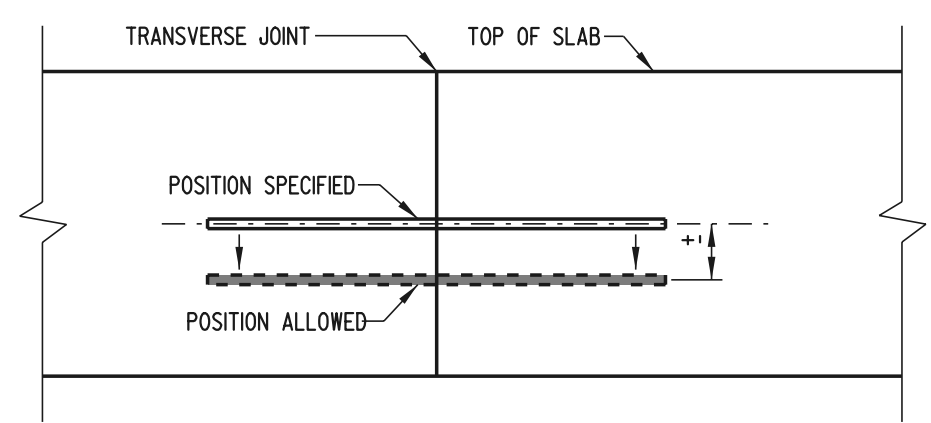
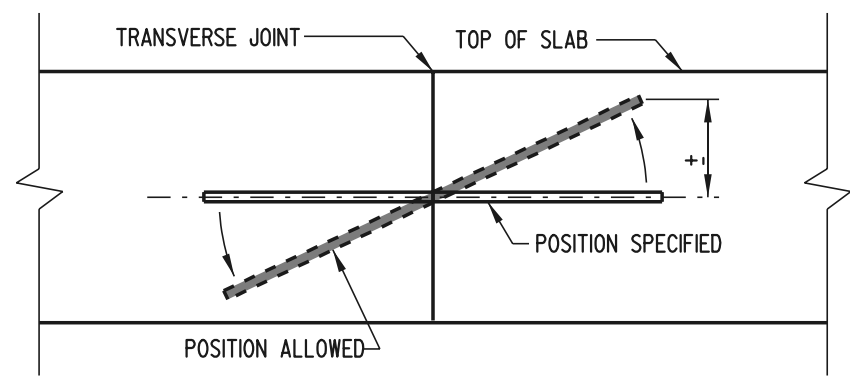


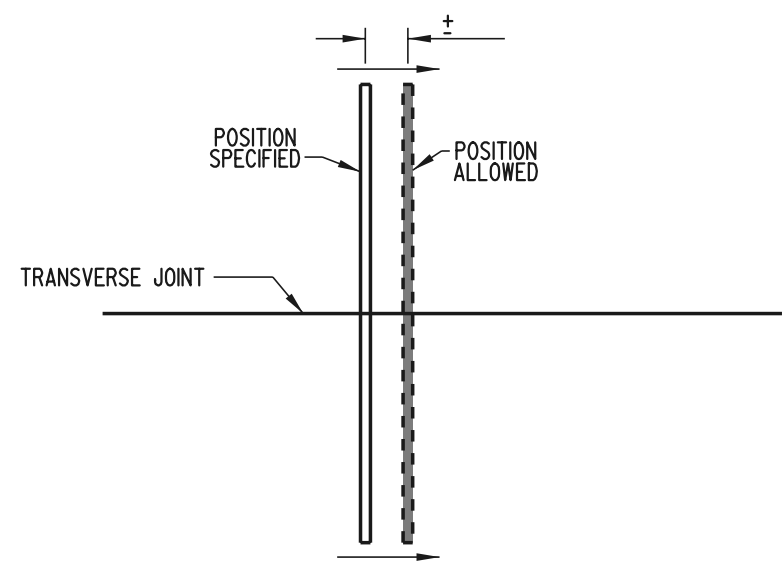
SCALE :



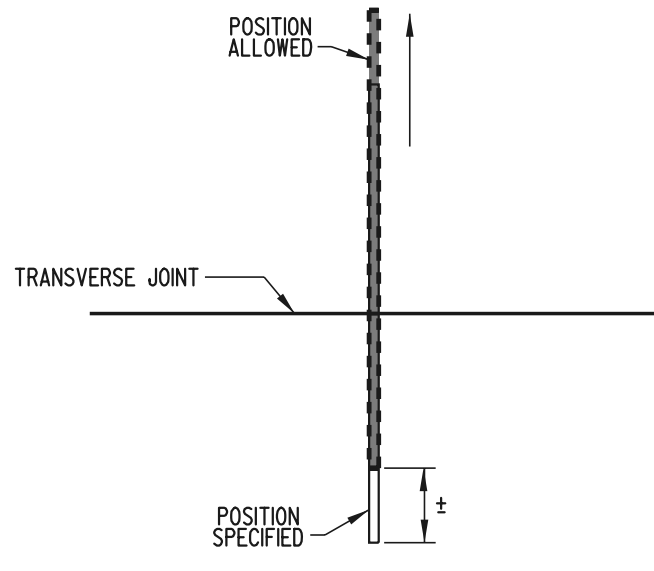
VERTICAL TRANSLATION



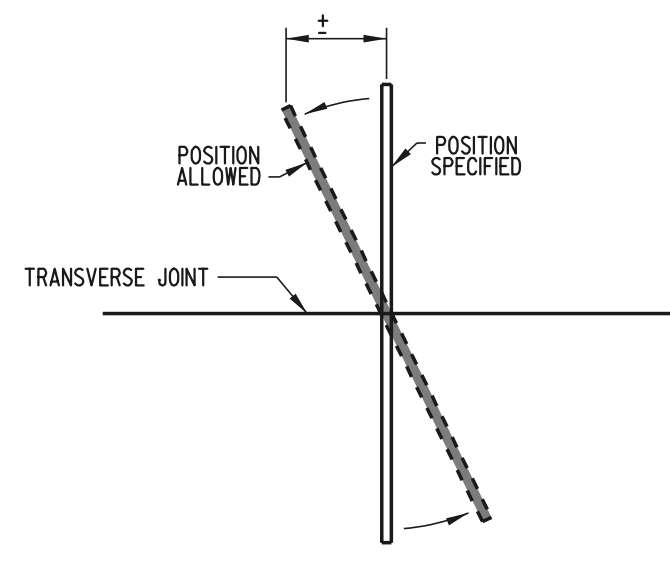
VERTICAL ROTATION



HORIZONTAL TRANSLATION



LONGITUDINAL TRANSLATION



HORIZONTAL ROTATION

DOWEL & TIE BAR PLACEMENT TOLERANCES



**DELAWARE
DEPARTMENT OF TRANSPORTATION**

P.C.C. PAVEMENT			
STANDARD NO.	P-1 (97)	SHT. 5	OF 5

APPROVED	_____	_____
	<small>CHIEF ENGINEER</small>	<small>DATE</small>
RECOMMENDED	_____	_____
	<small>DESIGN ENGINEER</small>	<small>DATE</small>