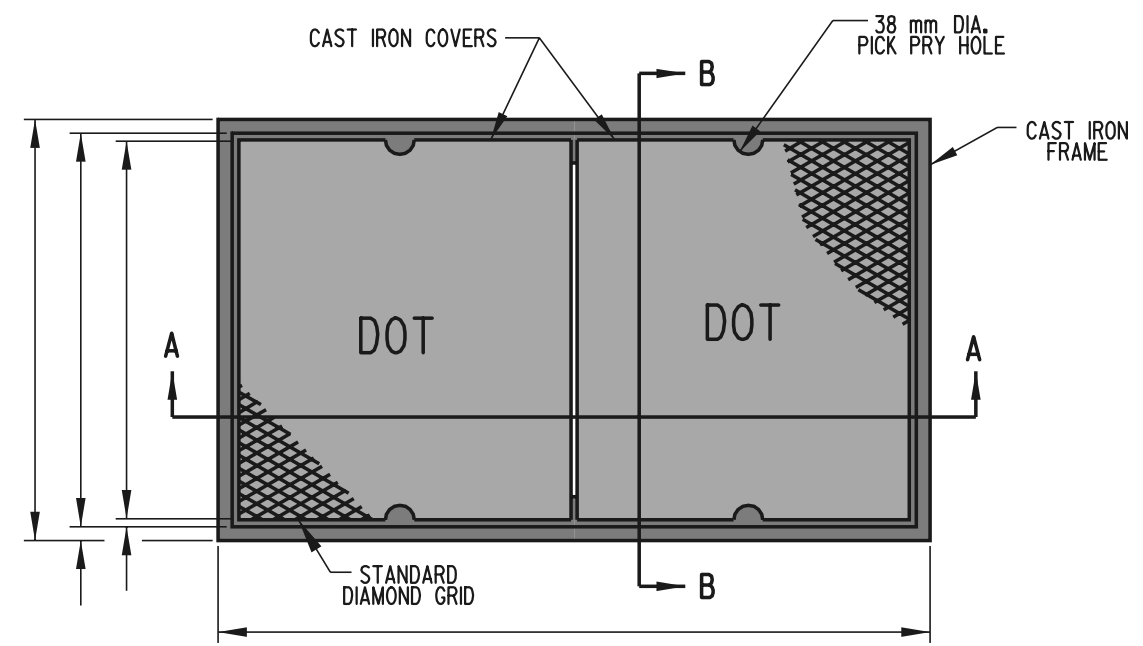
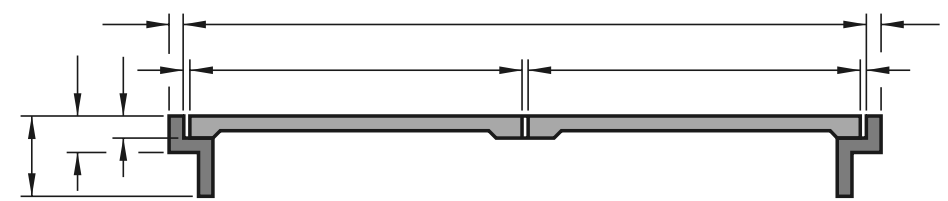


SCALE :

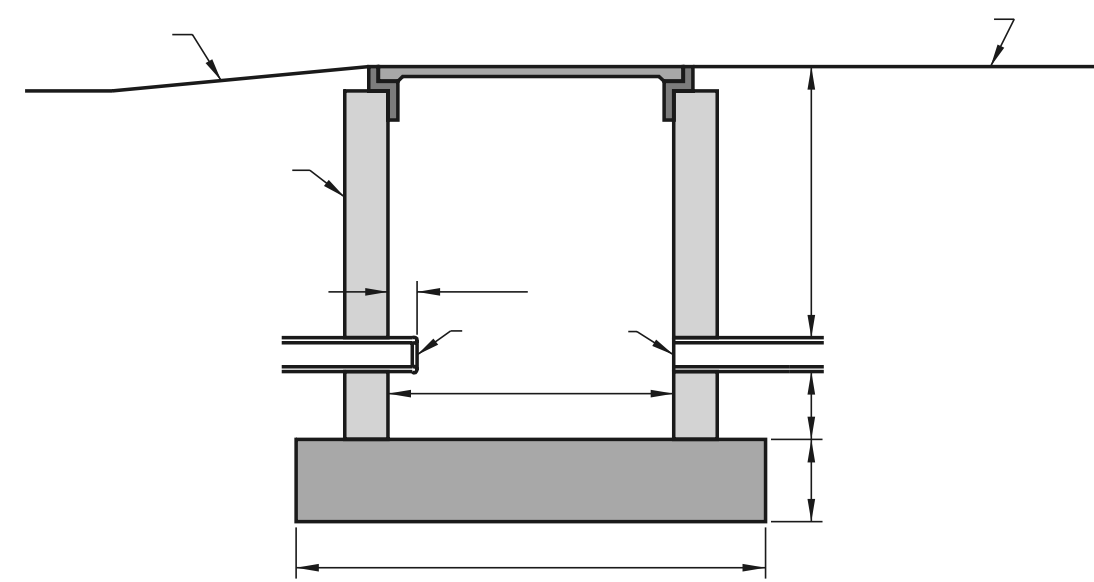


PLAN VIEW

NOTES: 1). TYPE 4 CONDUIT JUNCTION WELL SHALL BE PRECAST CONCRETE. AT LEAST ONE HOLE IN SHALL BE PLUGGED.
 2). ALL CONDUIT JUNCTION WELLS CONSTRUCTED WITHIN PAVEMENT, SIDEWALKS, ETC. WILL BE CONSTRUCTED FLUSH WITH THE SURFACE OF THE SAME. INSTALLATION IN UNPAVED AREAS WILL BE CONSTRUCTED



SECTION A-A



SECTION B-B

PLAN SYMBOL



 **DELAWARE**
DEPARTMENT OF TRANSPORTATION

CONDUIT JUNCTION WELL, TYPE 4
 STANDARD NO. **T-2 (97)** SHT. **1** OF **1**

APPROVED _____ DATE _____
CHIEF ENGINEER
RECOMMENDED _____ DATE _____
DESIGN ENGINEER