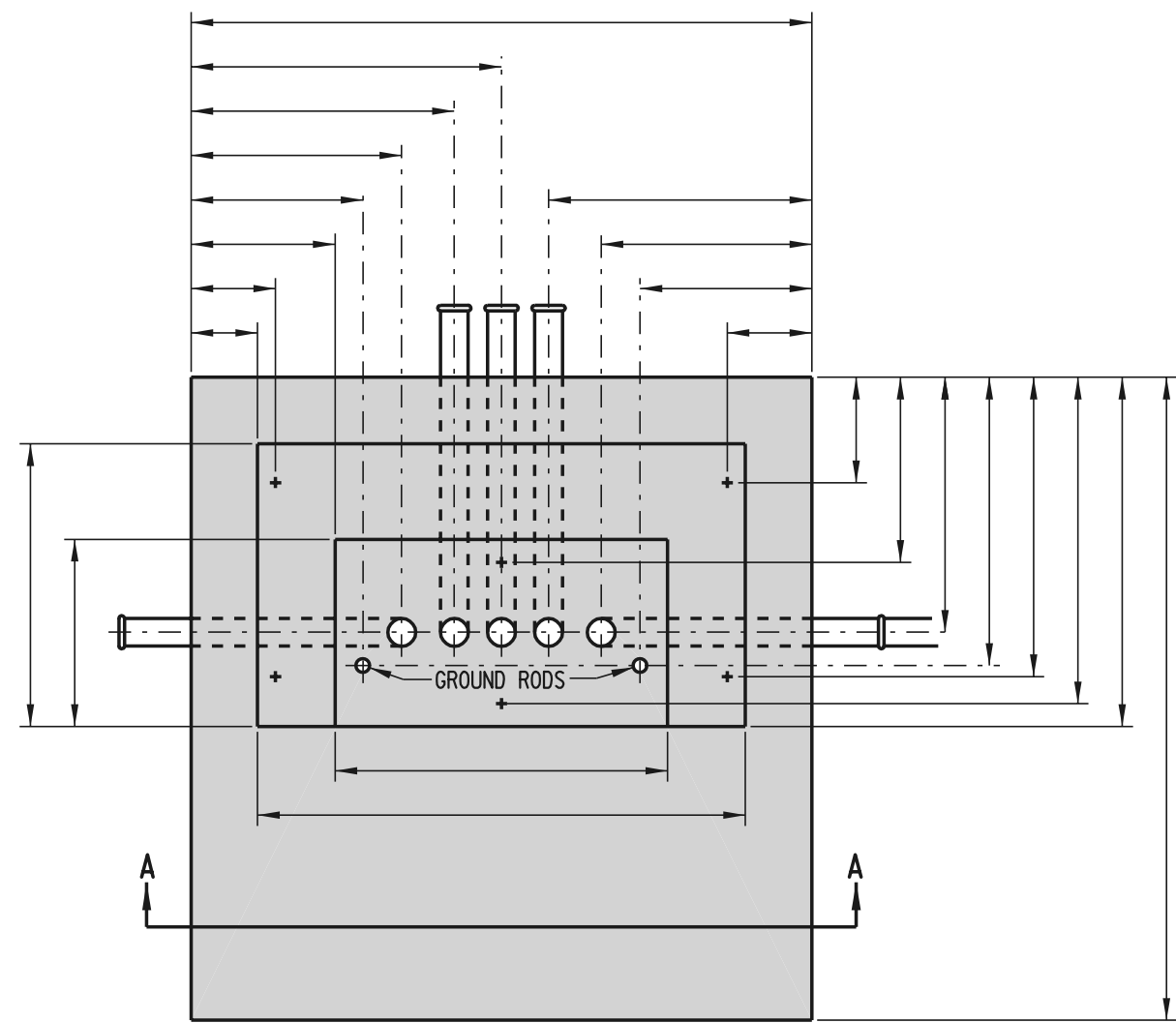
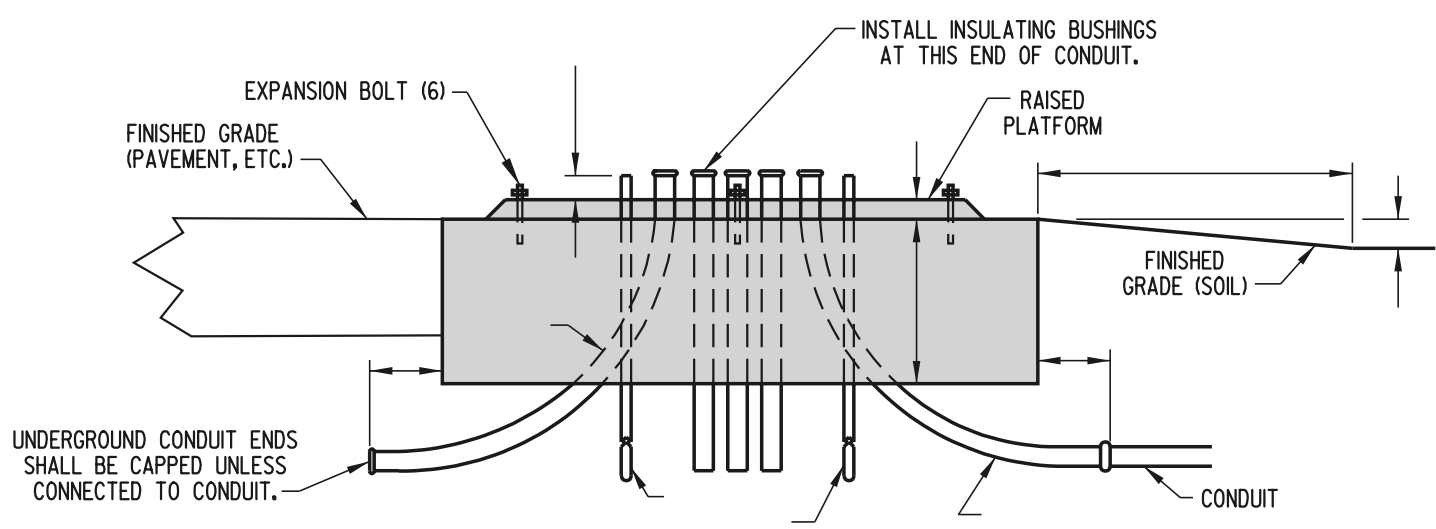


SCALE :



PLAN VIEW



SECTION A-A

PLAN SYMBOL

