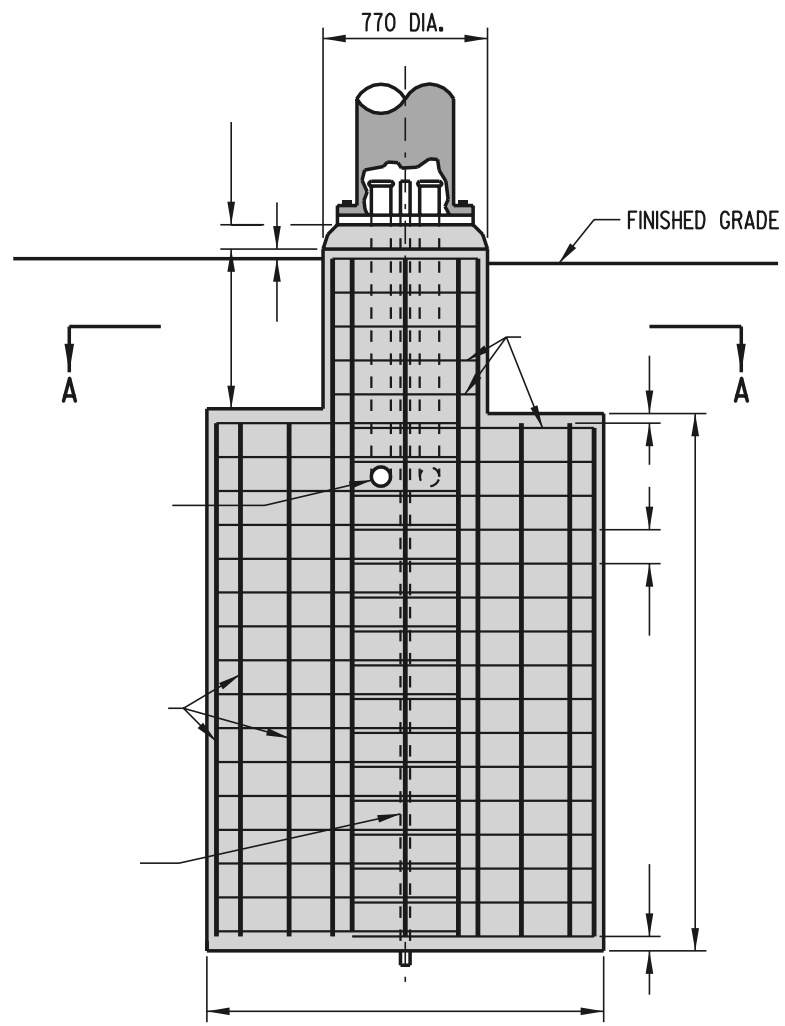
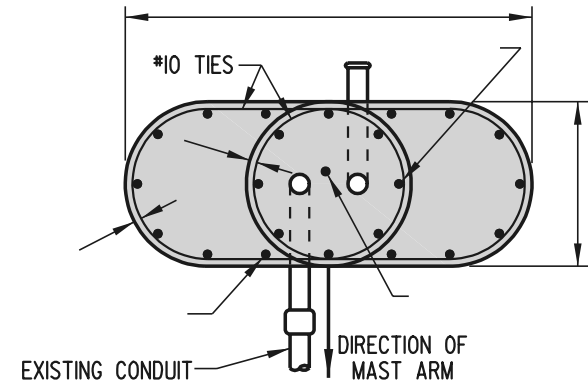


SCALE :



FOUNDATION DETAILS



SECTION A-A

PLAN SYMBOL

