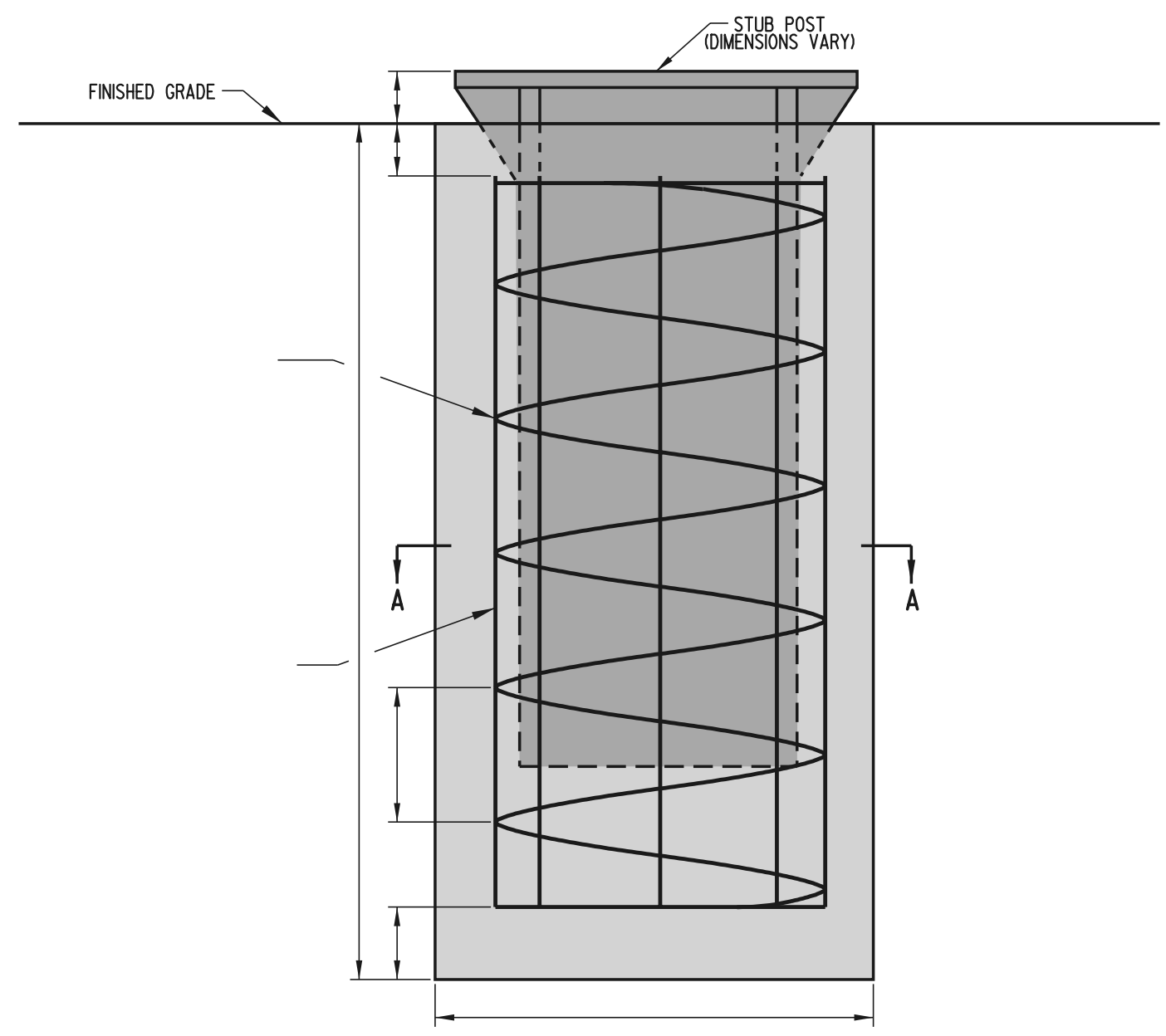
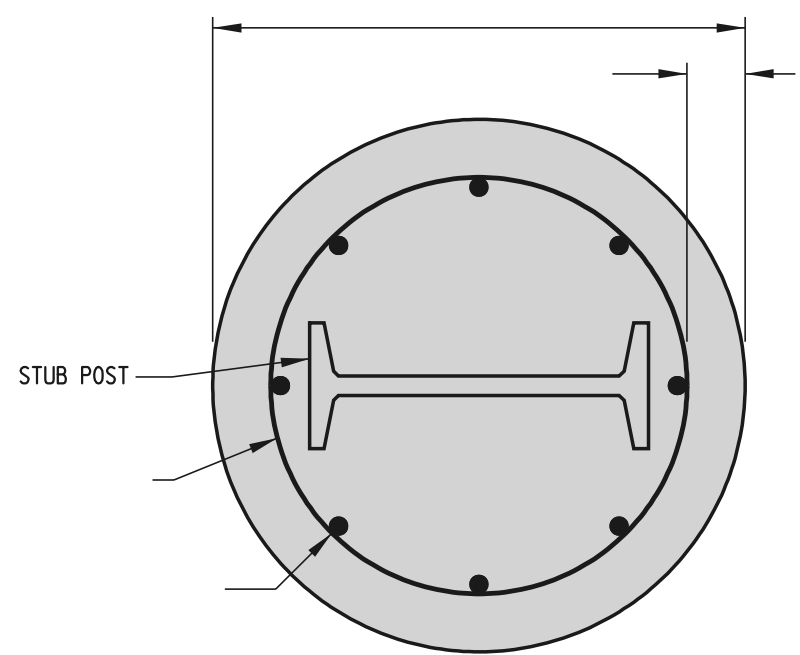


SCALE :



NOTES: 1). STUB POST TO BE SUPPLIED BY BUREAU OF TRAFFIC.



SECTION A-A

PLAN SYMBOL

