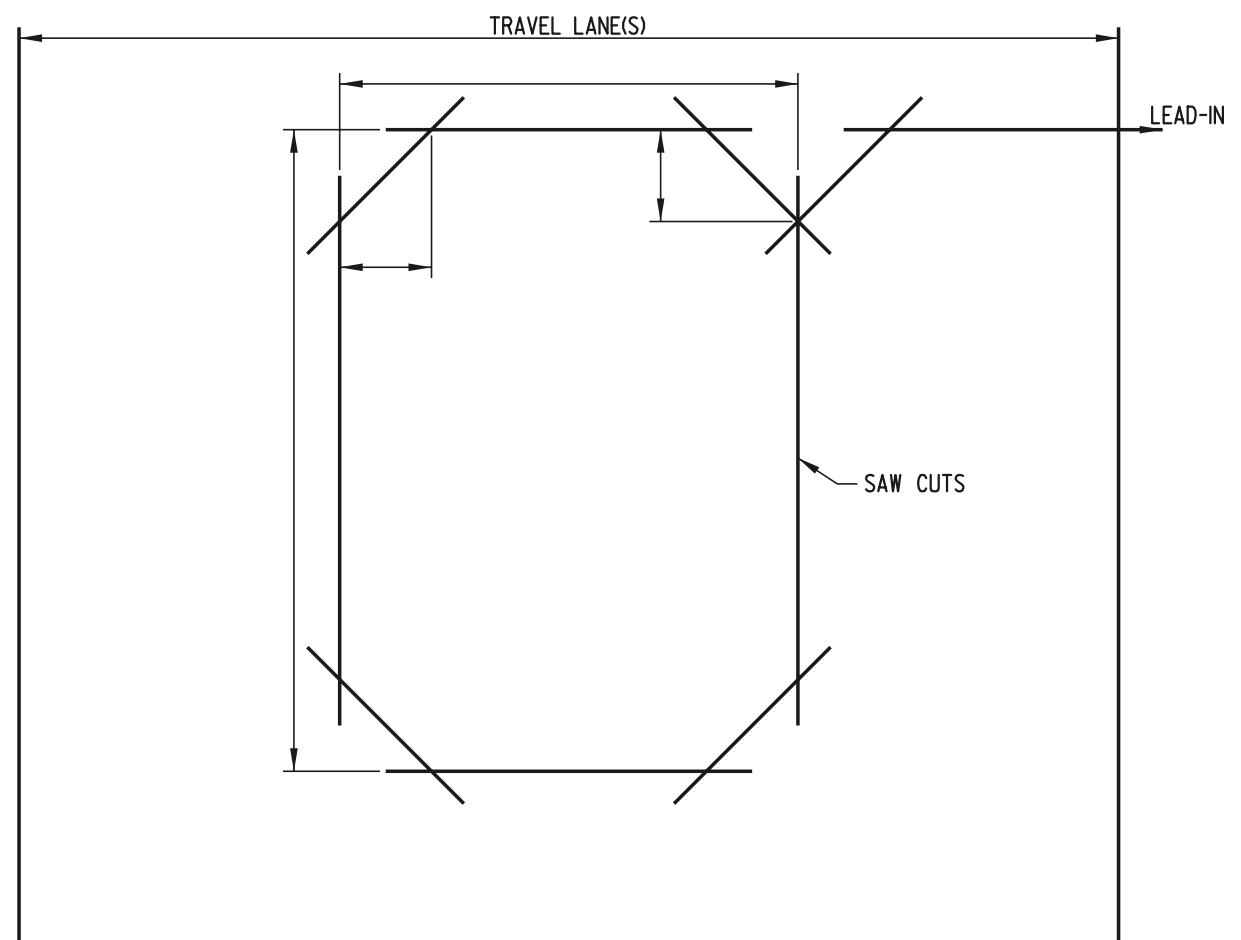
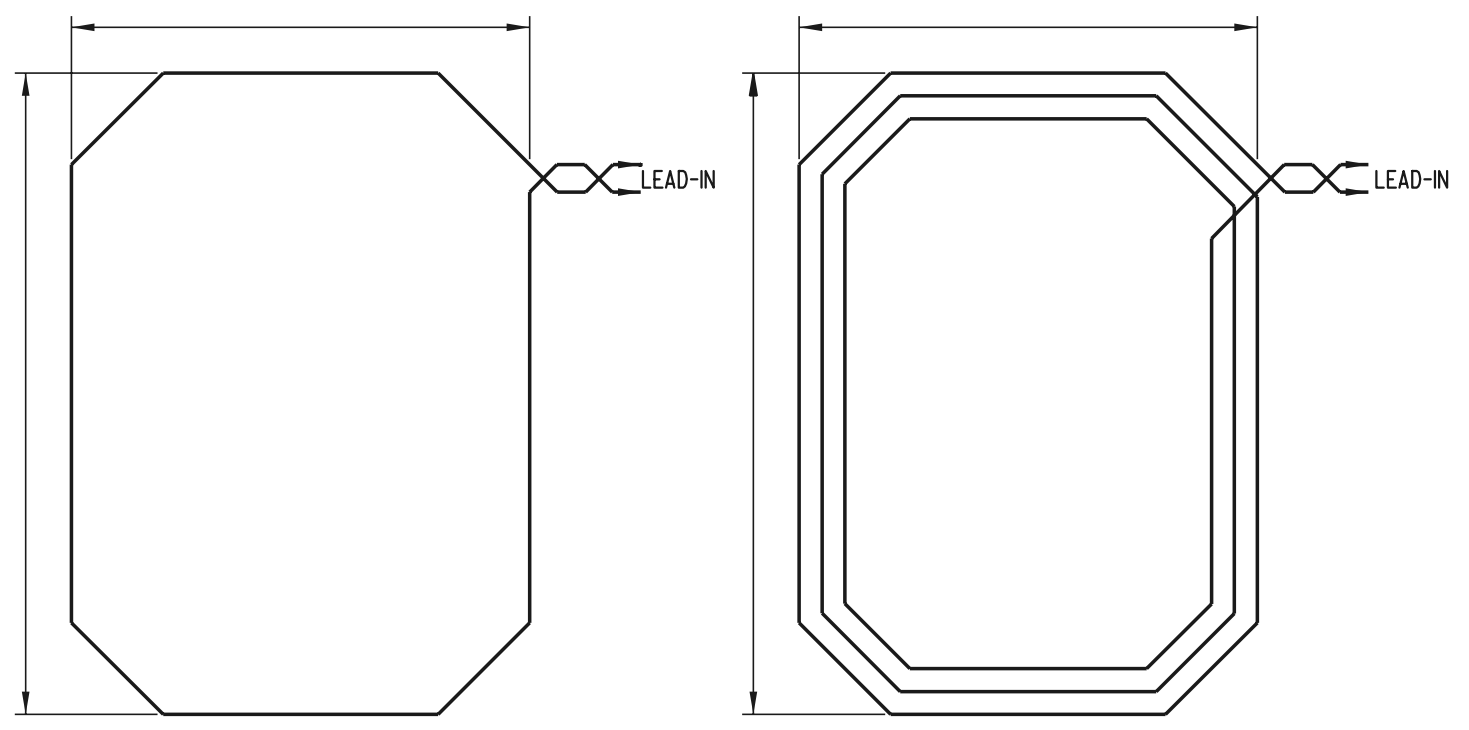


SCALE :



**WIRE SLOT CONSTRUCTION**



**DETAILS FOR INSTALLING DETECTOR CABLE**

**NOTES:** 1). SAW CUTS FOR WIRE SLOT CONSTRUCTION SHALL BE EXTENDED BEYOND THE CORNERS SO THAT THE SLOT IS FULL DEPTH AT TURN POINTS. A FORTY-FIVE (45) DEGREE ANGLE SHALL BE CUT 305 mm BACK FROM THE POINT OF THE EXTENDED CORNER.

**PLAN SYMBOL**



**DELAWARE  
DEPARTMENT OF TRANSPORTATION**

<b>TYPE #1 LOOP DETECTOR</b>			
STANDARD NO.	T-9 (97)	SHT. 1	OF 1

<b>APPROVED</b>	_____	DATE _____
<small>CHIEF ENGINEER</small>		
<b>RECOMMENDED</b>	_____	DATE _____
<small>DESIGN ENGINEER</small>		