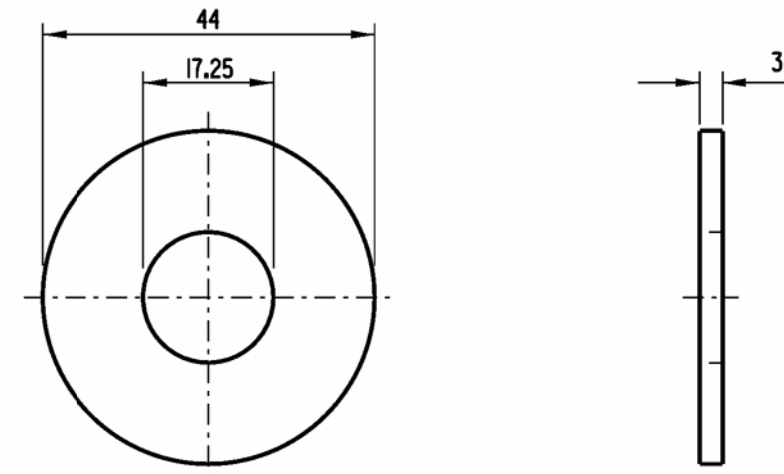
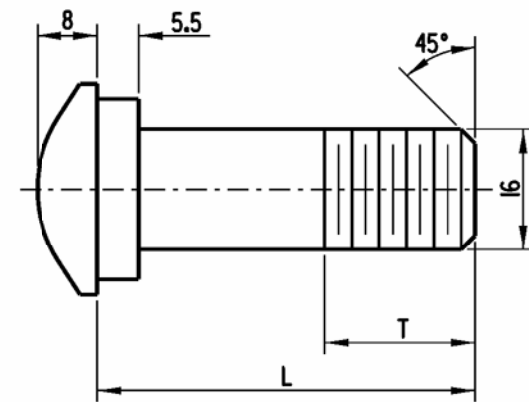


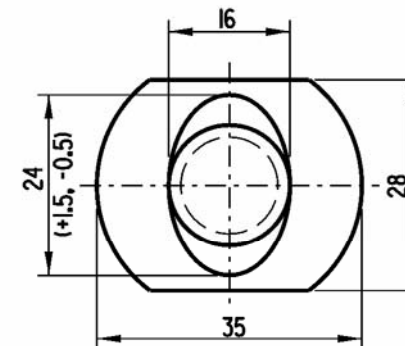
RECESSED NUT



STEEL WASHER (FOR 16 mm GUARDRAIL BOLT)



GUARDRAIL BOLT



L	T (MIN.)
35	FULL THREAD LENGTH
50	FULL THREAD LENGTH
255	100 mm THREAD LENGTH
460	100 mm THREAD LENGTH

- NOTES :**
1. DIMENSION FOR WASHER THICKNESS IS APPROXIMATE BASE METAL THICKNESS.
 2. ALL FILLETS SHALL HAVE A MINIMUM RADIUS OF 2 mm.
 3. IF THE BOLT EXTENDS MORE THAN 6 mm FROM THE NUT, THE BOLT SHOULD BE TRIMMED BACK.



**DELAWARE
DEPARTMENT OF TRANSPORTATION**

HARDWARE

STANDARD NO. **B-13 (97)**

SHT. **10** OF **12**

APPROVED

CHIEF ENGINEER DATE

RECOMMENDED

DESIGN ENGINEER DATE