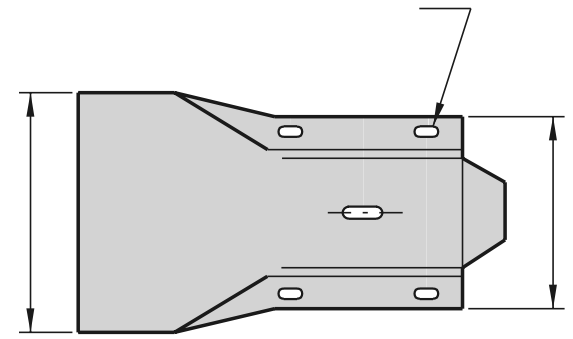
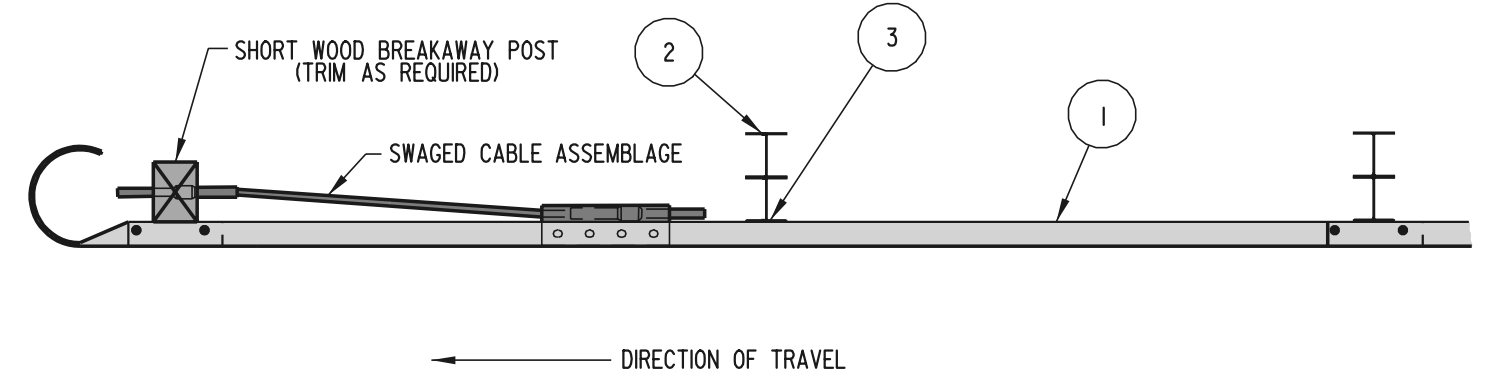


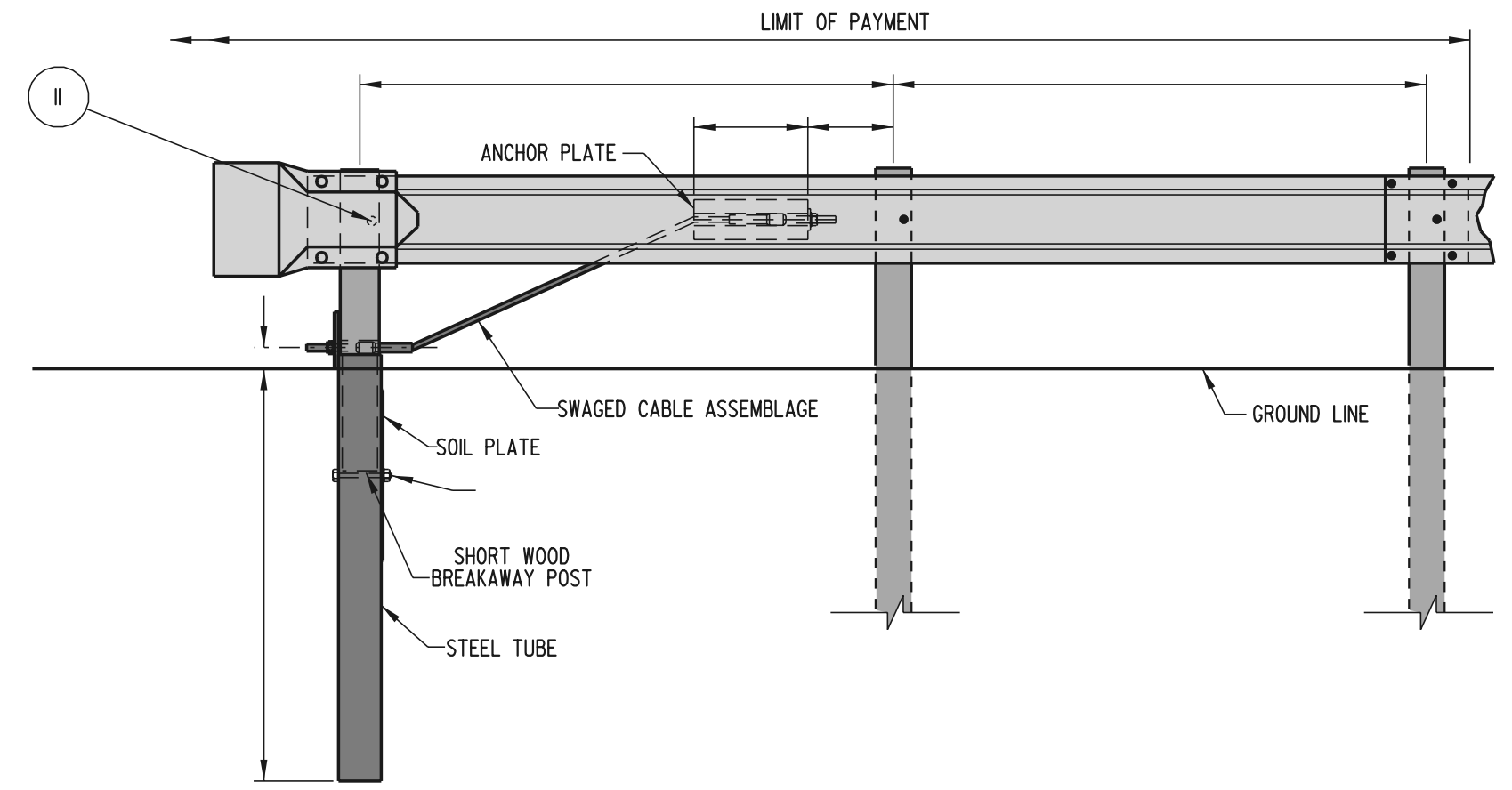
**END SECTION PLAN**



**END SECTION ELEVATION**



**PLAN**



**ELEVATION**

**NOTE:** ADDITIONAL HOLES FOR ANCHOR PLATE SHALL BE DRILLED PRIOR TO GALVANIZING. (SEE STANDARD HARDWARE SHEET FOR HOLE SPACING INFORMATION).



<b>END ANCHORAGE</b>	
STANDARD NO. <b>B-5 (98)</b>	SHT. <b>1</b> OF <b>1</b>

<b>APPROVED</b>	_____ CHIEF ENGINEER	_____ DATE
<b>RECOMMENDED</b>	_____ DESIGN ENGINEER	_____ DATE