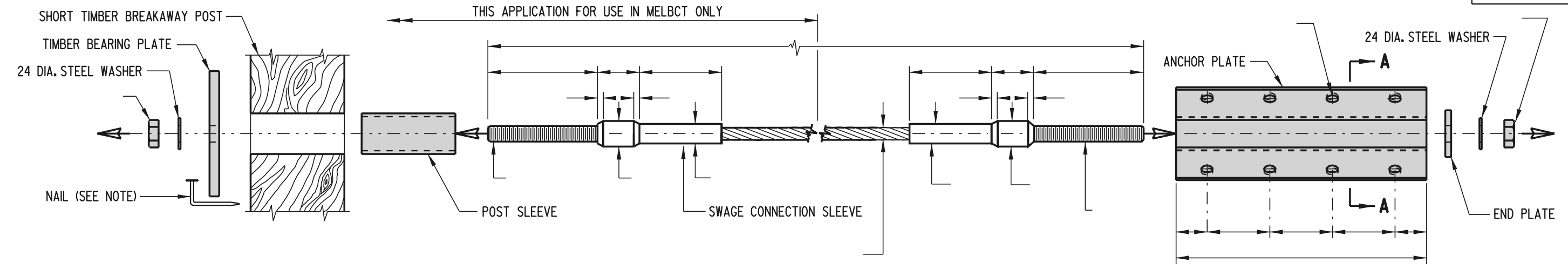
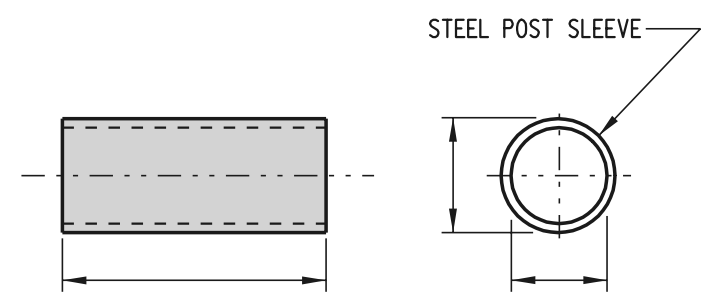


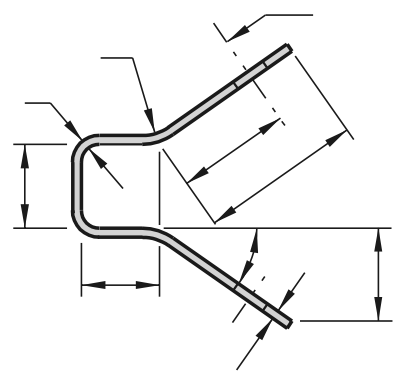
SCALE : N.T.S.



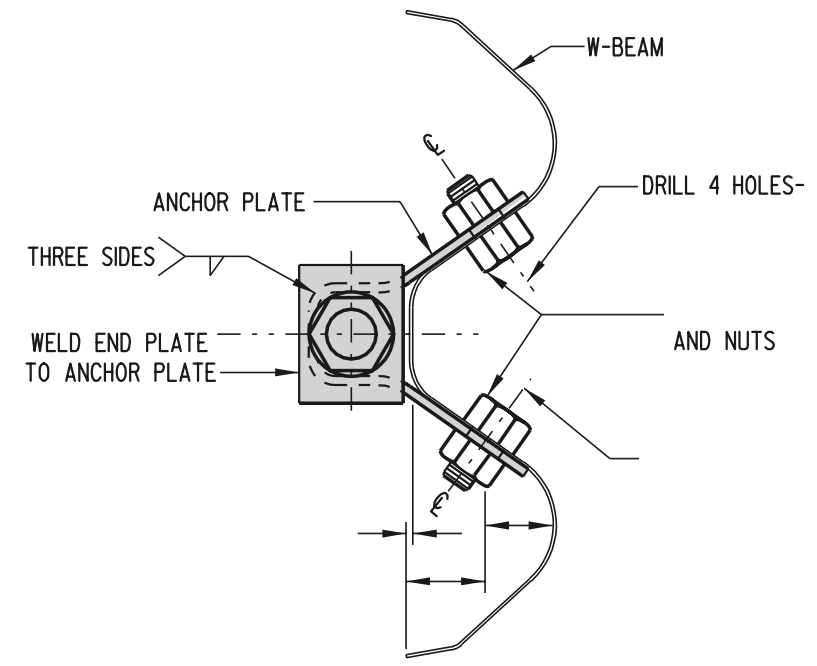
**SWAGED CABLE ASSEMBLAGE AND RELATED HARDWARE ASSEMBLY**



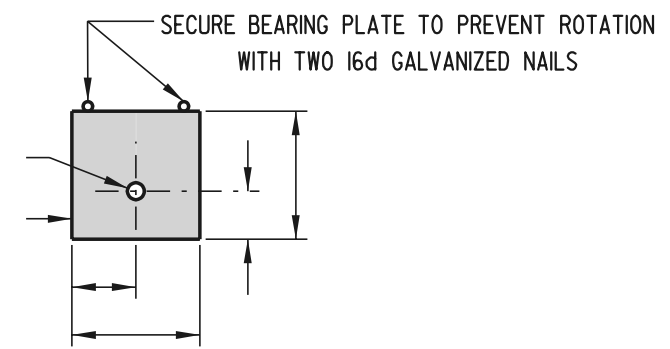
**POST SLEEVE**



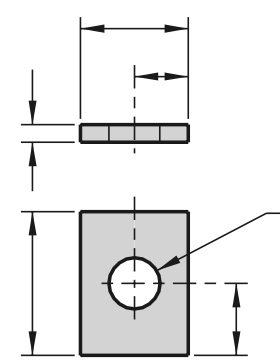
**SECTION A-A**



**ANCHOR PLATE TO W-BEAM CONNECTION DETAIL**



**TIMBER BEARING PLATE**



**END PLATE**

- NOTES:**
- 1). TO ENSURE THAT THE TIMBER BEARING PLATE REMAINS IN POSITION, TWO EIGHT PENNY GALVANIZED STEEL NAILS SHALL BE DRIVEN IN THE SHORT TIMBER BREAKAWAY POST, AND BENT OVER BEARING PLATE.
  - 2). TIGHTEN ASSEMBLY UNTIL CABLE IS TAUGHT.