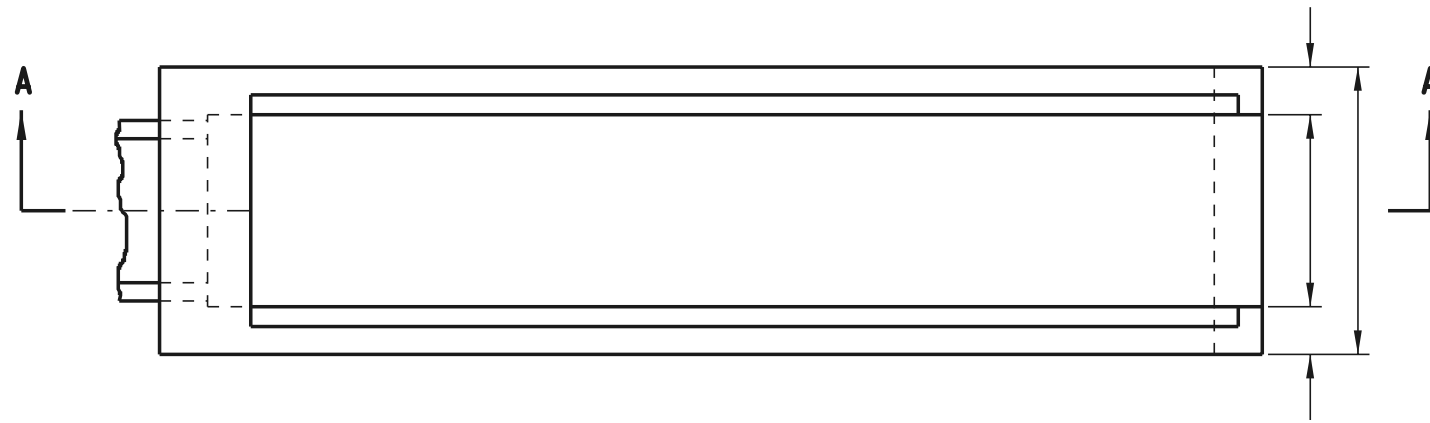
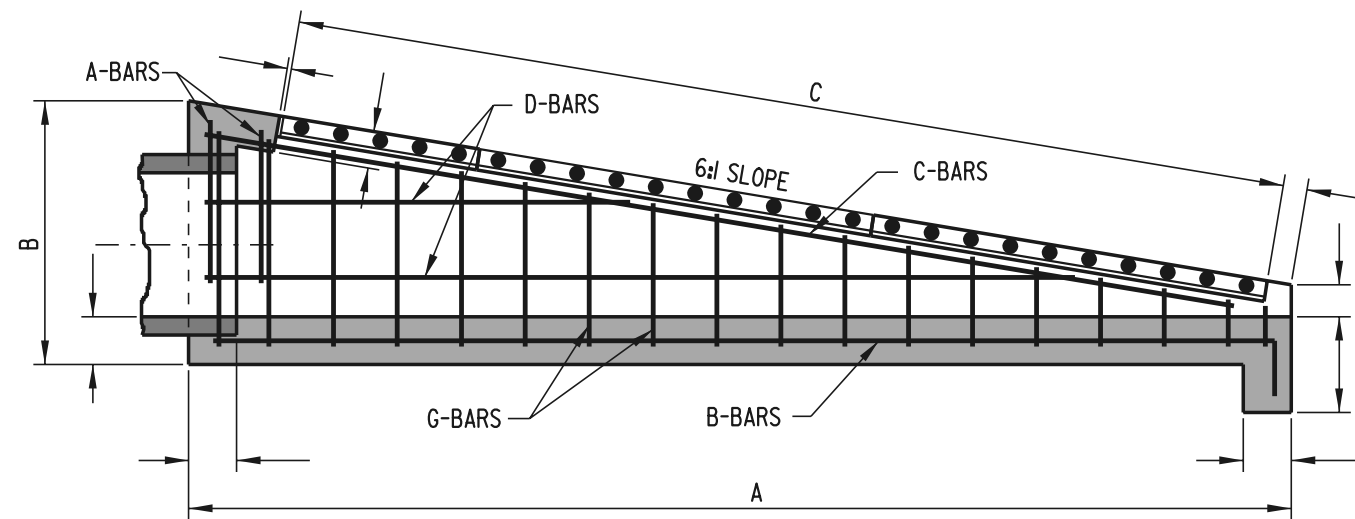


SCALE :

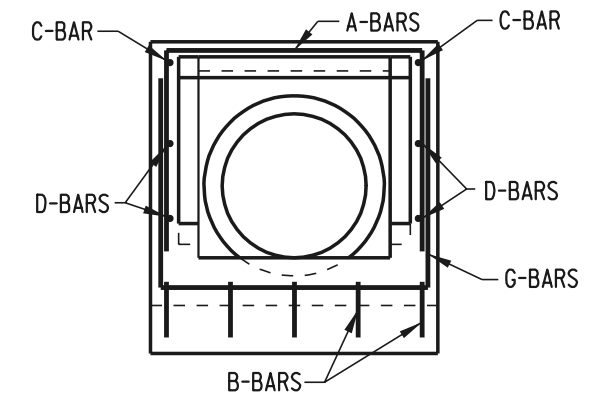


PLAN VIEW
SHOWN WITHOUT GRATE

NOTE: 6:1 SAFETY END STRUCTURE TO BE PRECAST



SECTION A-A



FRONT VIEW



DELAWARE
DEPARTMENT OF TRANSPORTATION

6:1 SAFETY END STRUCTURE

STANDARD NO. D-1 (98)

SHT. 1 OF 2

APPROVED

CHIEF ENGINEER _____ DATE _____

RECOMMENDED

DESIGN ENGINEER _____ DATE _____