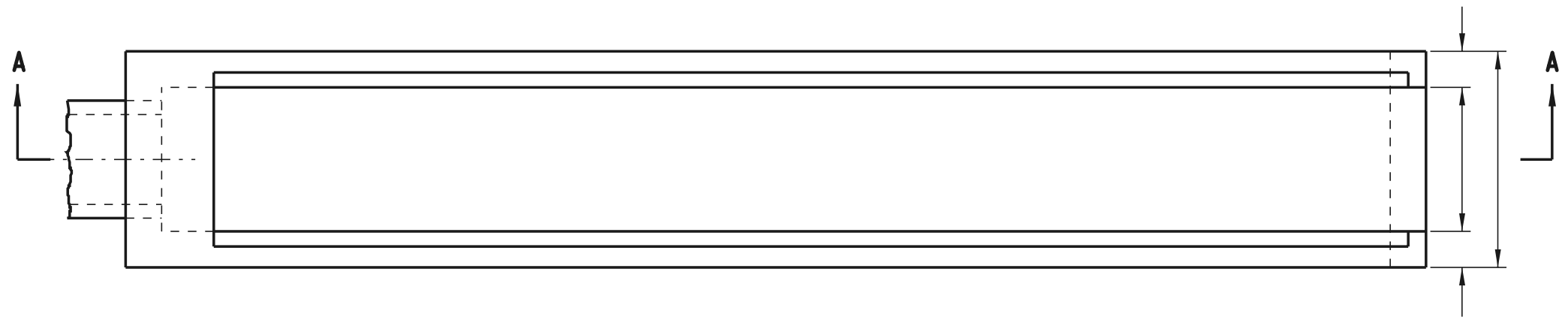


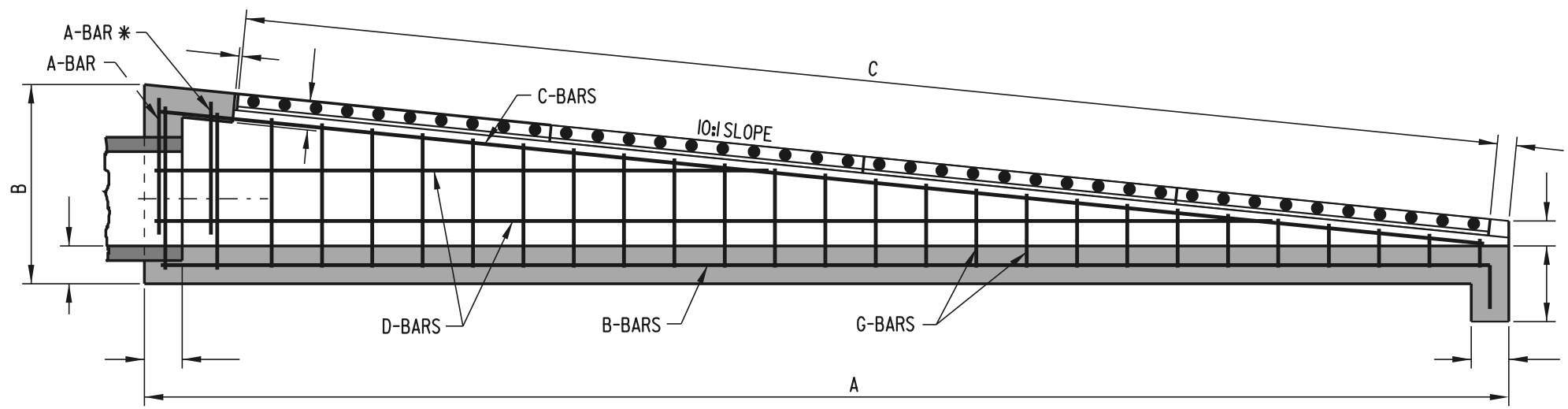
SCALE :



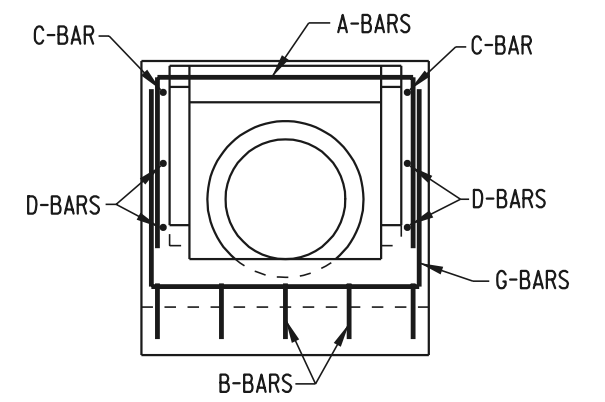
PLAN VIEW
SHOWN WITHOUT GRATE

NOTE: 10:1 SAFETY END STRUCTURE TO BE PRECAST


* - REQUIRED ONLY FOR PIPE SIZES OF 525 mm OR 600 mm.



SECTION A-A



FRONT VIEW

 DELAWARE DEPARTMENT OF TRANSPORTATION	10:1 SAFETY END STRUCTURE		APPROVED
	STANDARD NO. D-2 (98)	SHT. 1 OF 2	_____ <small>CHIEF ENGINEER</small> <small>DATE</small>
			RECOMMENDED _____ <small>DESIGN ENGINEER</small> <small>DATE</small>