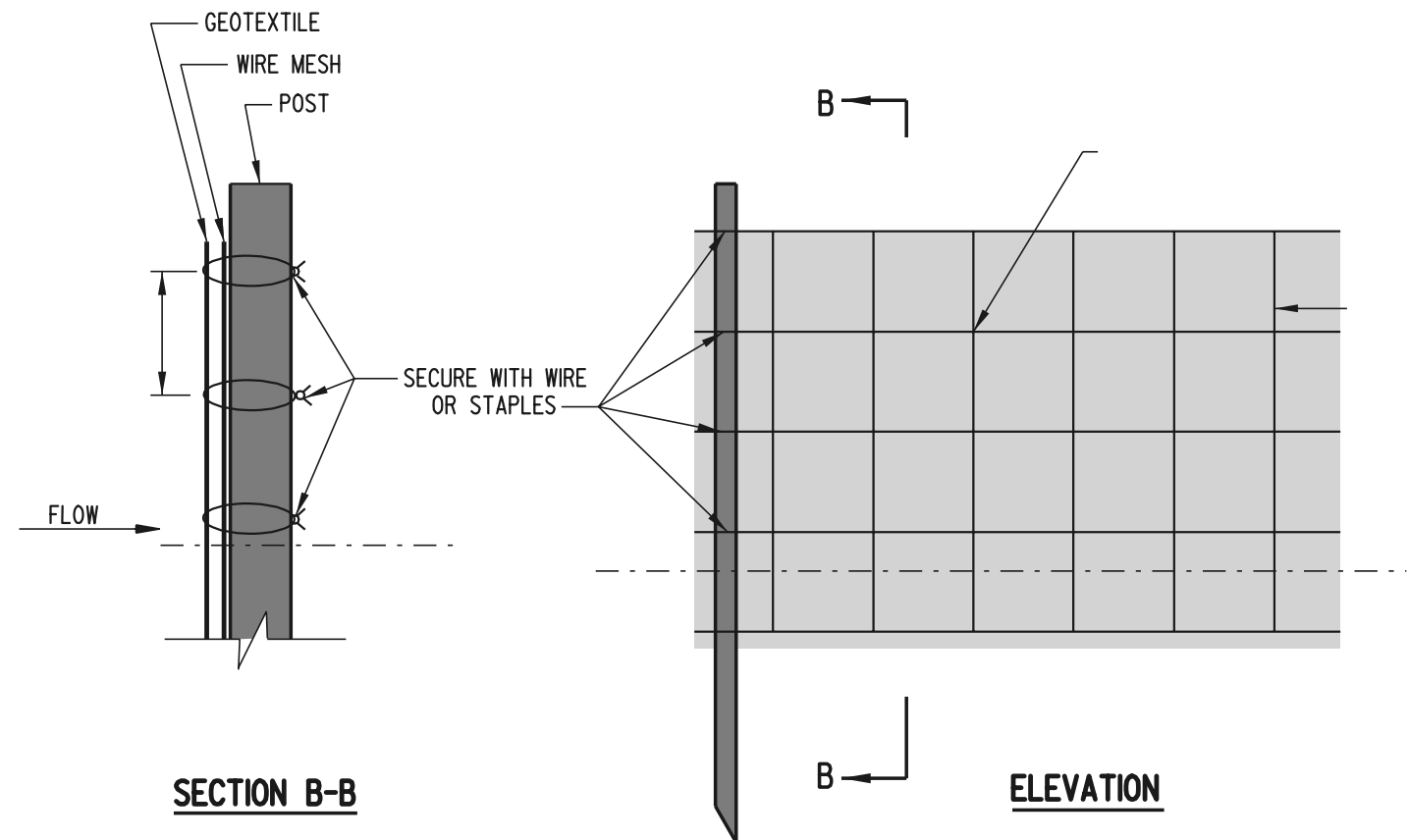


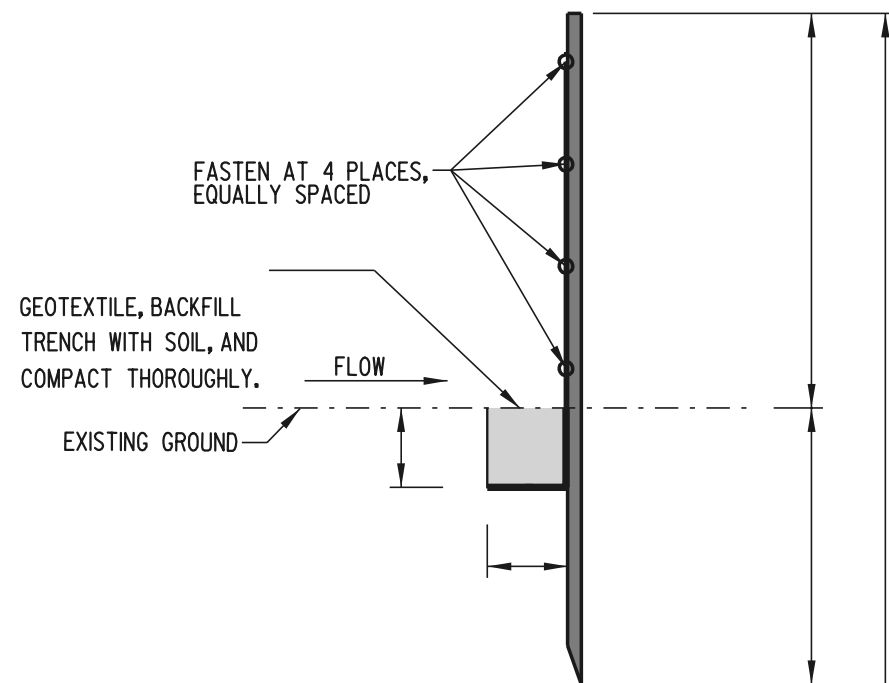
ISOMETRIC VIEW



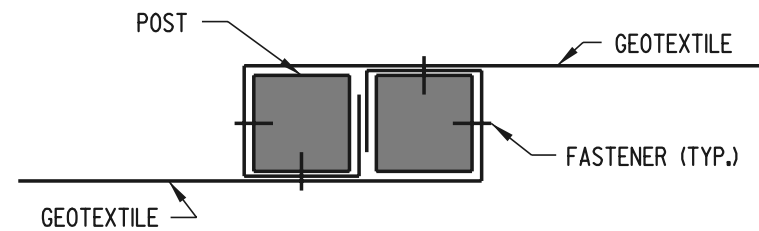
SECTION B-B

ELEVATION

**WIRE MESH DETAIL
(REINFORCED SILT FENCE ONLY)**



SECTION A-A

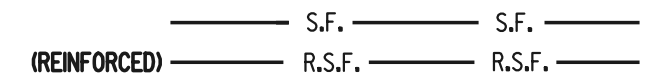


CONNECTON DETAIL

FOR USE WITH JOINING TWO
ADJACENT SILT FENCE SECTIONS

NOTE: THIS DEVICE IS INTENDED TO CONTROL SHEET FLOW ONLY.
IT SHALL NOT BE USED IN AREAS OF CONCENTRATED FLOW.

PLAN SYMBOL



**DELAWARE
DEPARTMENT OF TRANSPORTATION**

SILT FENCE

STANDARD NO. E-2 (98)

SHT. 1 OF 1

APPROVED

CHIEF ENGINEER DATE

RECOMMENDED

DESIGN ENGINEER DATE