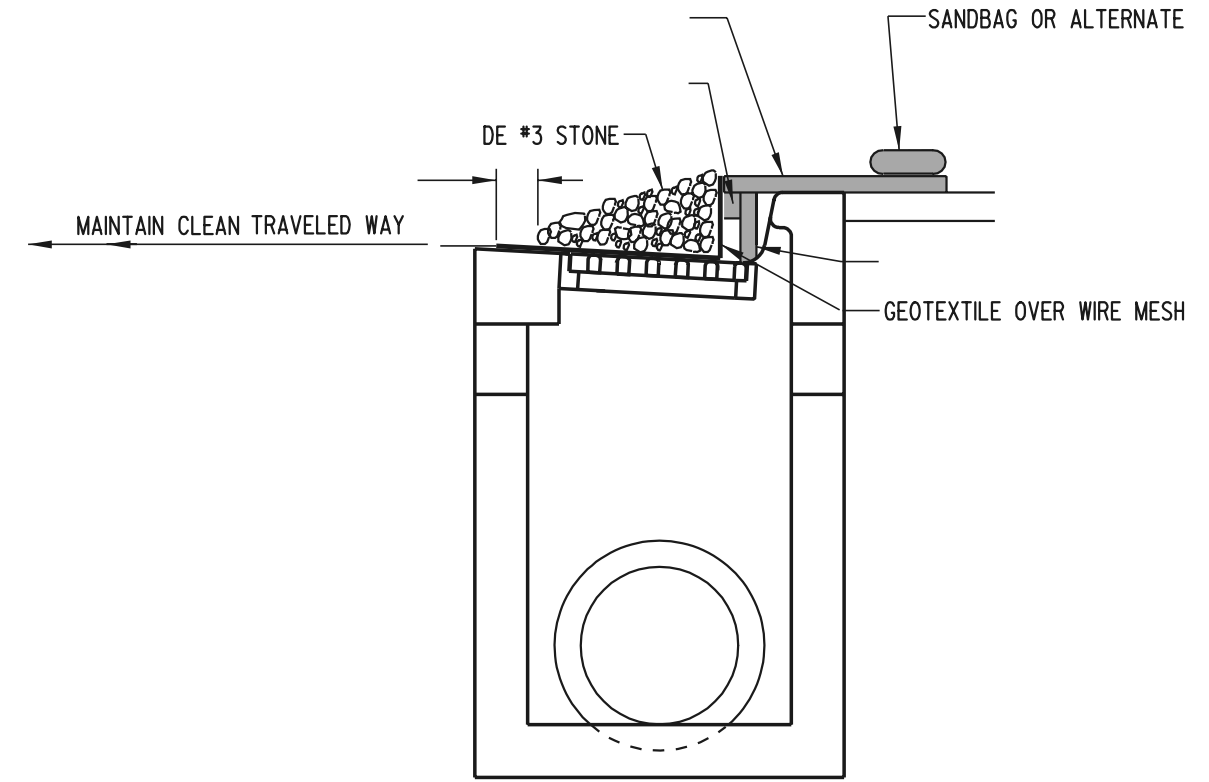


ISOMETRIC VIEW



SECTION A-A

PLAN SYMBOL



**DELAWARE
DEPARTMENT OF TRANSPORTATION**

CURB INLET SEDIMENT CONTROL

STANDARD NO. E-4 (98)

SHT. 1 OF 1

APPROVED

CHIEF ENGINEER DATE

RECOMMENDED

DESIGN ENGINEER DATE