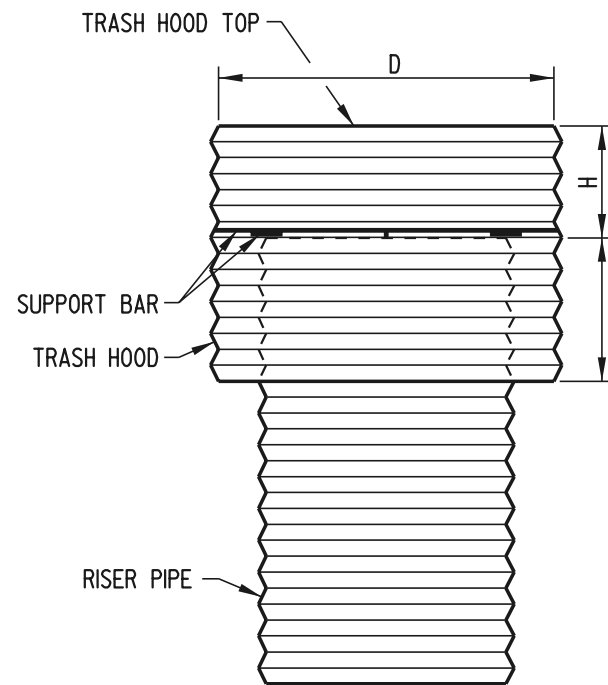
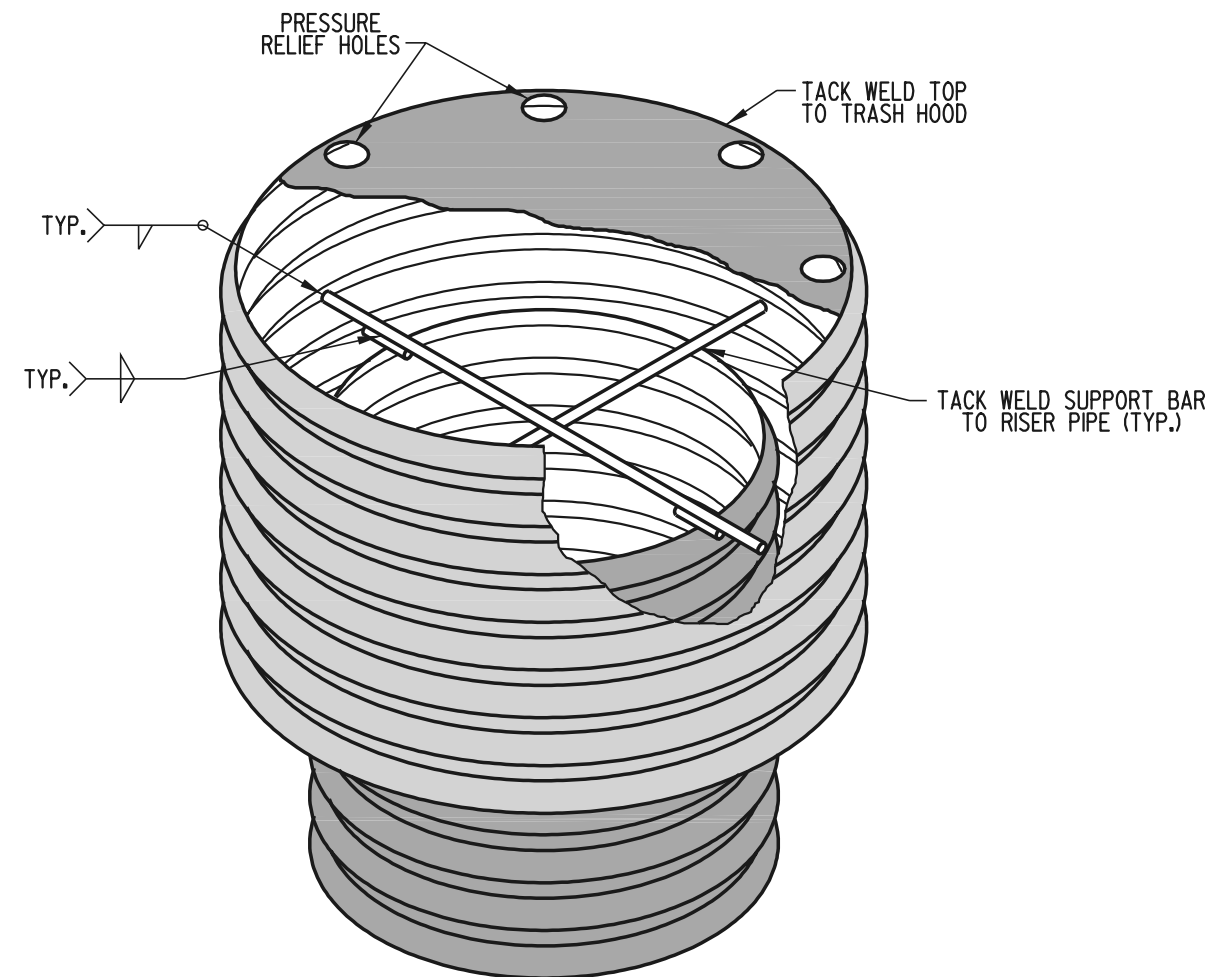


PLAN

TRASH HOOD CHART					
RISER PIPE DIAMETER	D	H	TRASH HOOD THICK. (GAGE)	MINIMUM SIZE SUPPORT BAR	MINIMUM TOP THICK. (GAGE)
			16		16
			16		16
			16		16
			16		14
			16		14
			14		12



FRONT



ISOMETRIC VIEW

TRASH HOOD DETAILS

PLAN SYMBOL



**DELAWARE
DEPARTMENT OF TRANSPORTATION**

RISER PIPE ASSEMBLY FOR SEDIMENT TRAP

STANDARD NO. E-8 (98)

SHT. 2 OF 2

APPROVED

CHIEF ENGINEER DATE

RECOMMENDED

DESIGN ENGINEER DATE