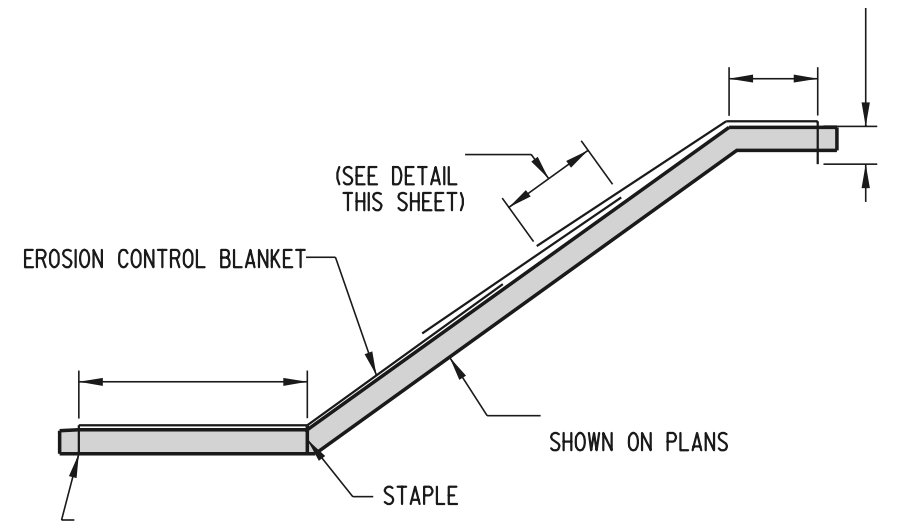
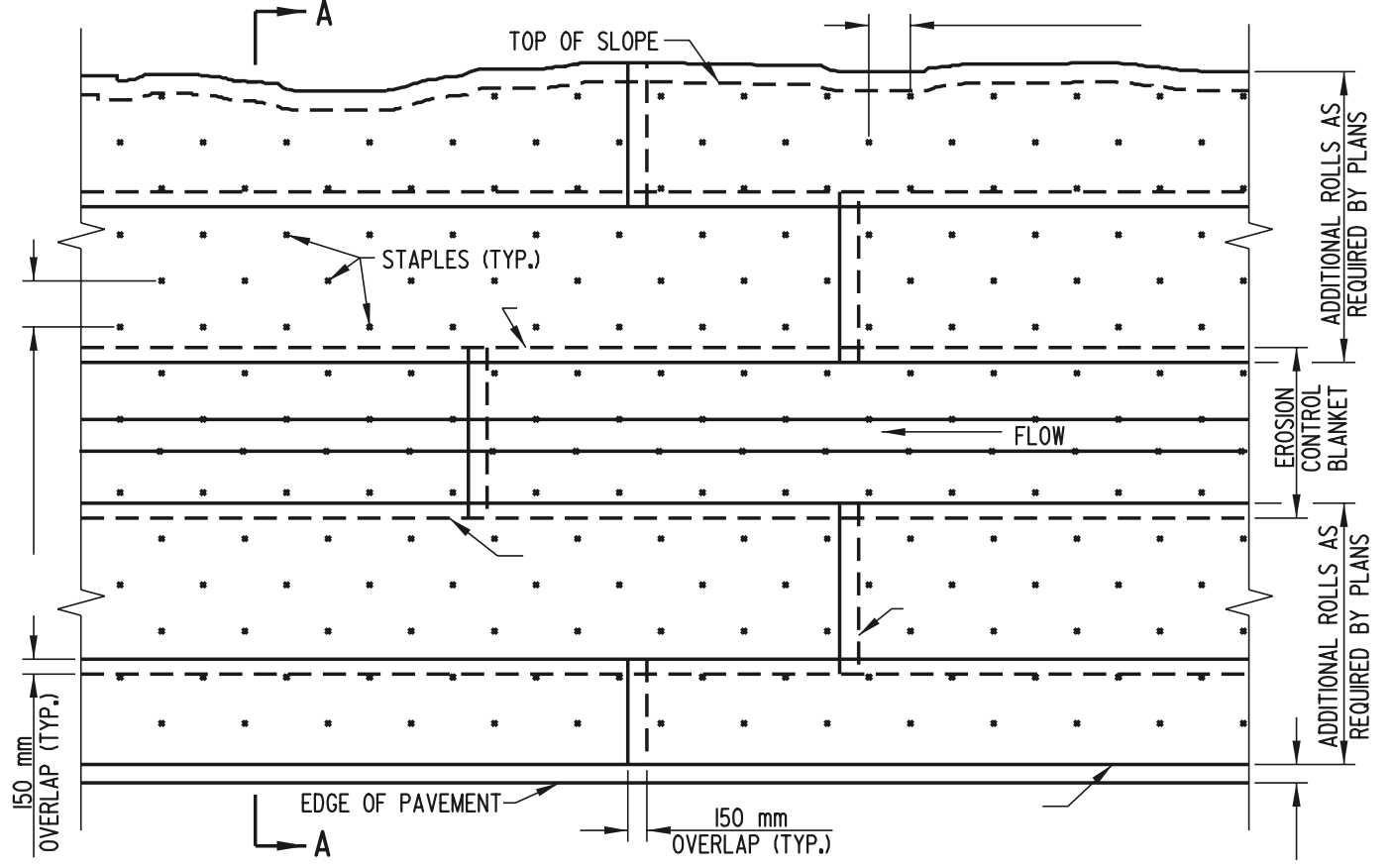


**STABILIZATION OF DITCHES
SECTION A-A**

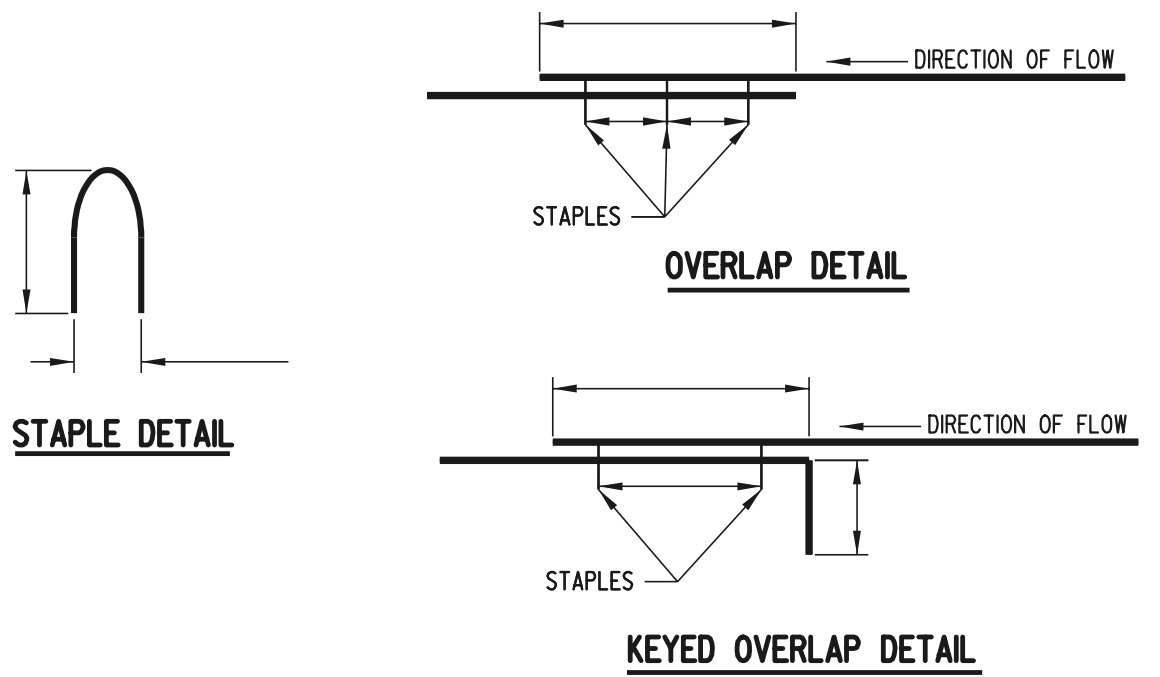


STABILIZATION OF EMBANKMENTS



**STABILIZATION OF DITCHES
PLAN**

NOTE: ADDITIONAL STAPLES NOT SHOWN ARE REQUIRED AT OVERLAPS. SEE OVERLAP DETAIL AND KEYED OVERLAP DETAIL FOR STAPLE PLACEMENT.



PLAN SYMBOL

