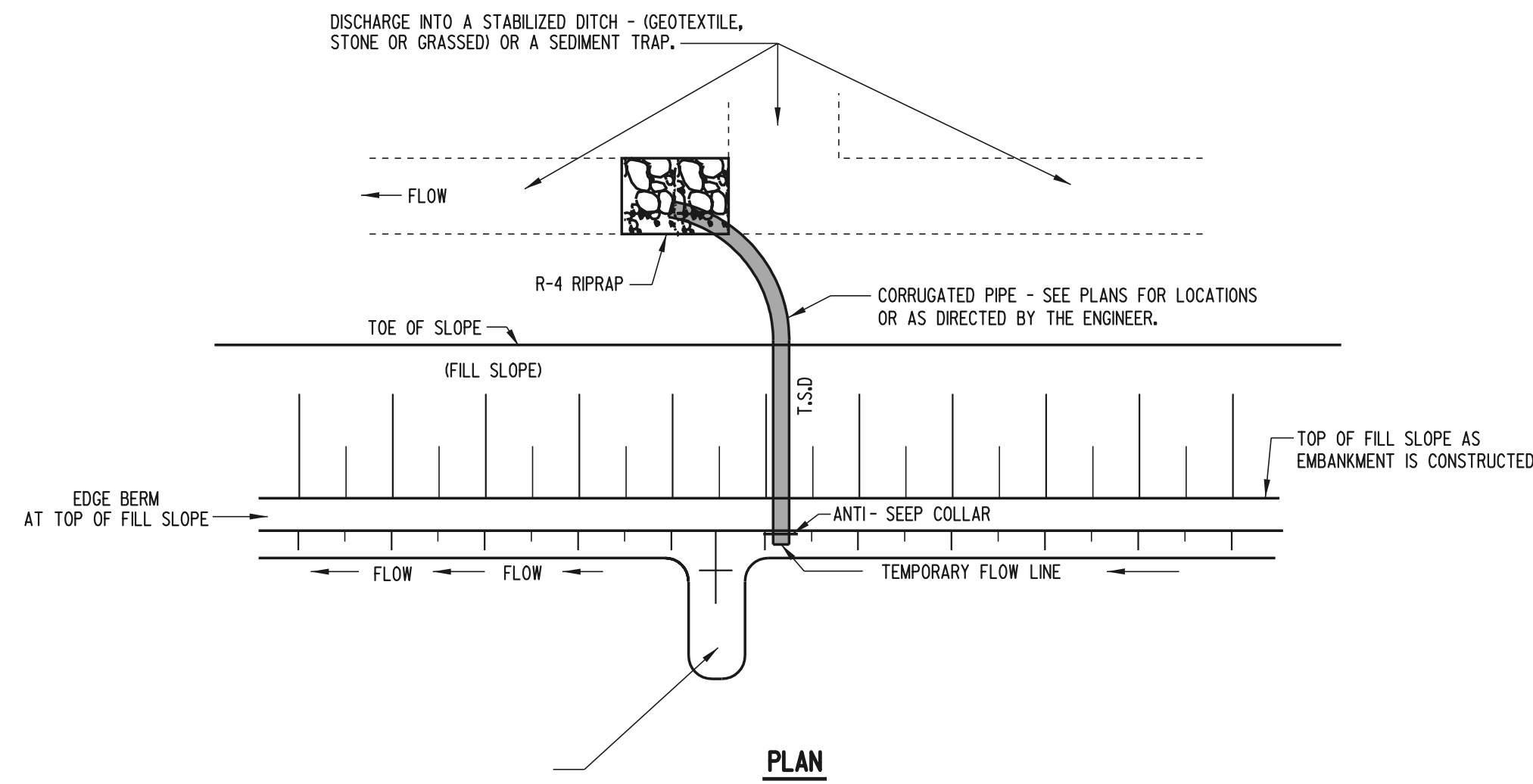
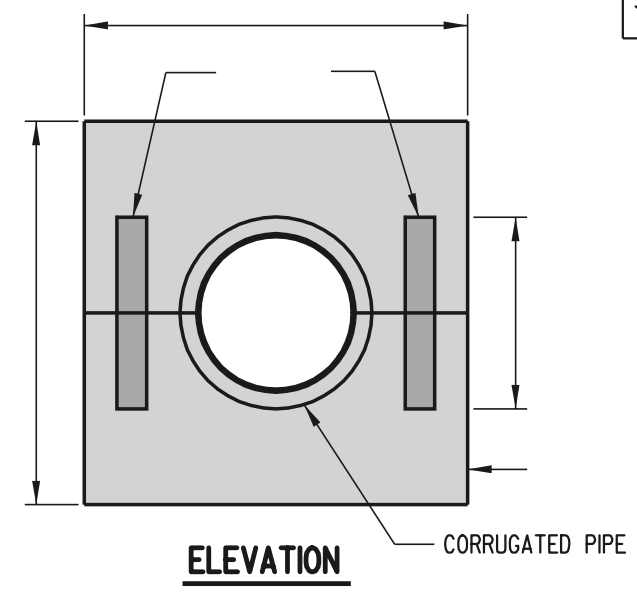


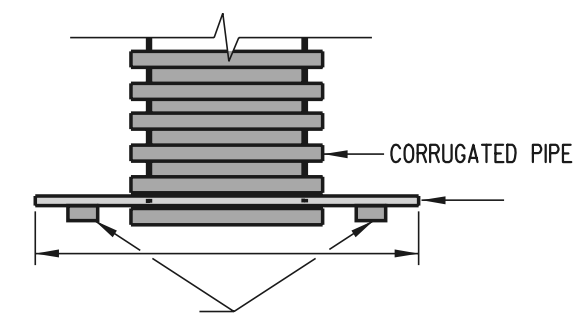
SCALE : N.T.S.



PLAN

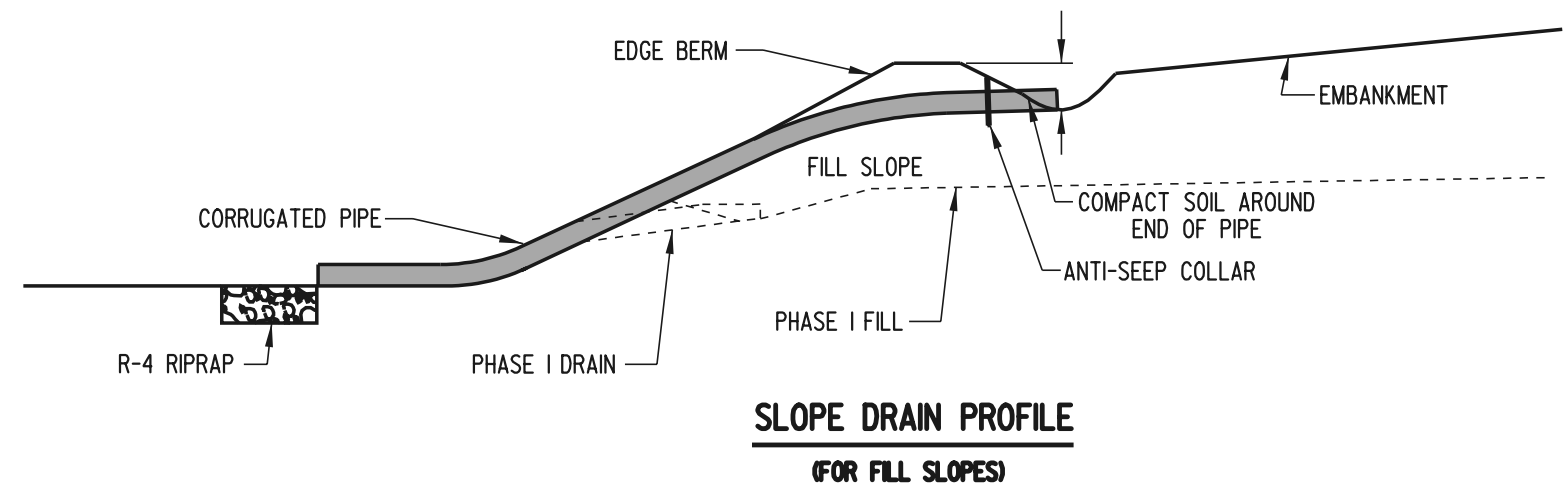


ELEVATION



**PLAN
ANTI-SEEP COLLAR**

- NOTES:**
- 1). ALL TEMPORARY SLOPE DRAINS SHALL DISCHARGE INTO THE BACK OF SEDIMENT TRAPS, INTO SEDIMENT BASINS OR DITCHES DISCHARGING INTO TRAPS OR BASINS.
 - 2). TEMPORARY SLOPE DRAINS SHALL BE USED AT THE TOP OF FILL SLOPES AS EMBANKMENT IS CONSTRUCTED, TO PREVENT EXCESSIVE EROSION UNTIL SHOULDERS ARE CONSTRUCTED AND THE SLOPES ARE SEEDING AND MULCHED.



**SLOPE DRAIN PROFILE
(FOR FILL SLOPES)**

PLAN SYMBOL

