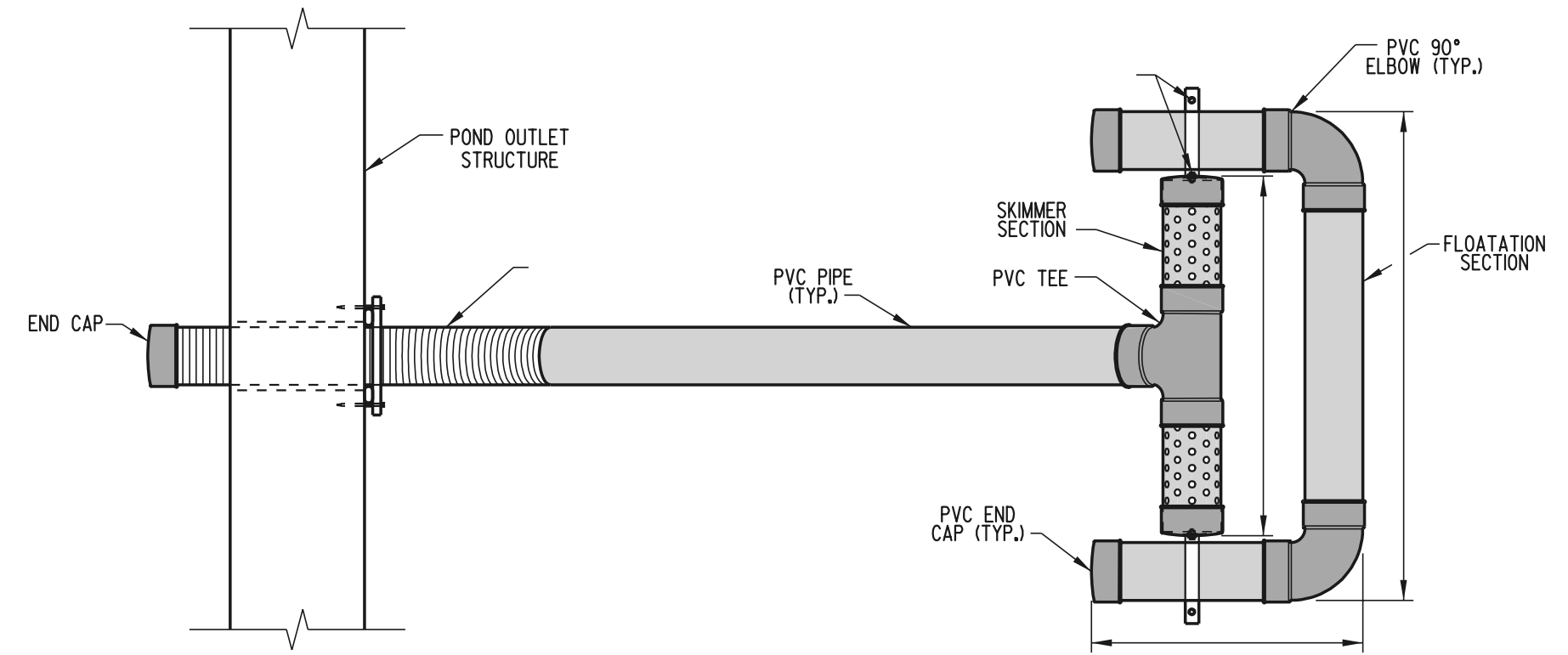


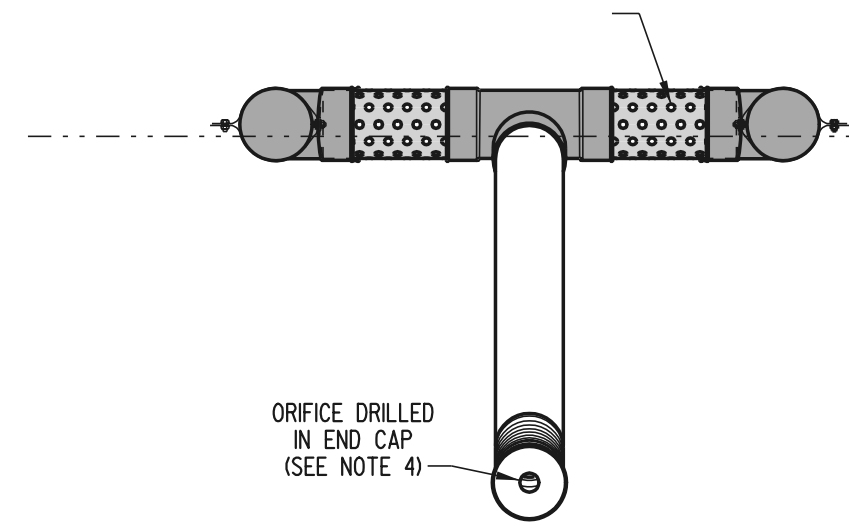
SCALE :

NOTES:

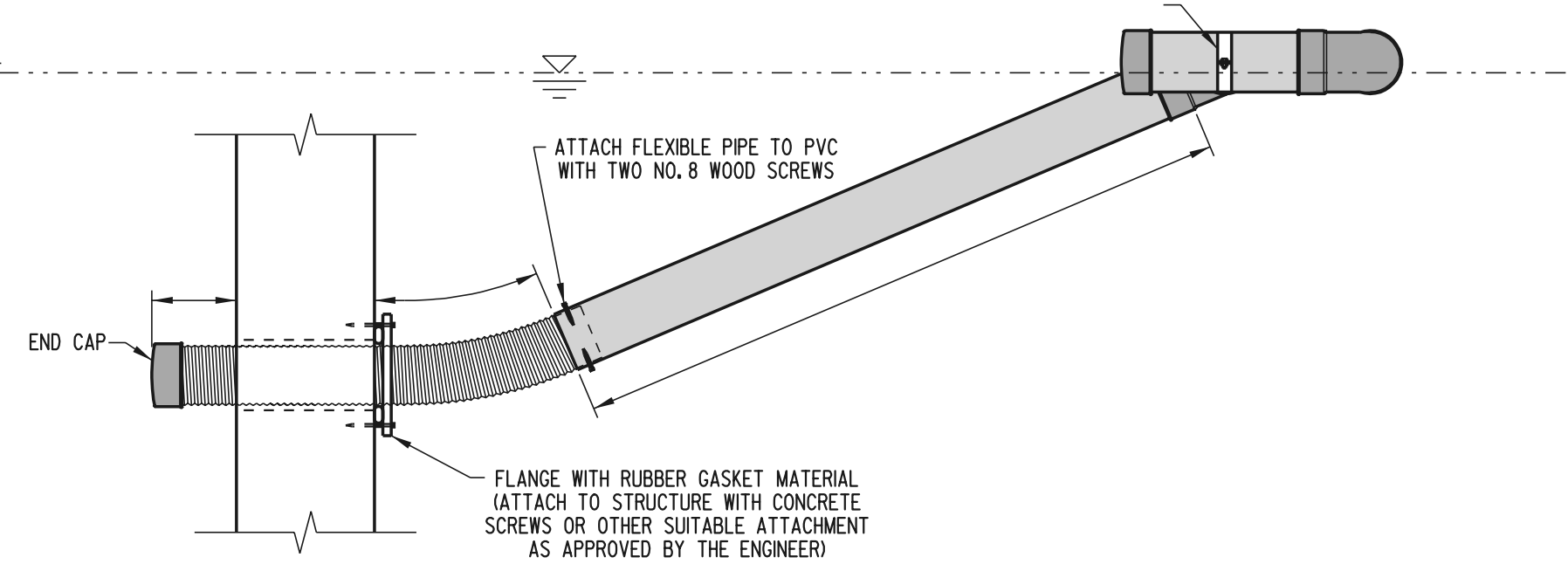
- 2). ALL JOINTS OF THE FLOATATION SECTION SHALL BE SOLVENT WELDED. JOINTS OF SKIMMER SECTION NEED NOT BE WATER-TIGHT.
- 3). 100 mm HDPE FLEXIBLE DRAIN PIPE IS TO BE ATTACHED TO THE POND OUTLET STRUCTURE WITH WATER-TIGHT CONNECTIONS.
- 4). ORIFICE IS TO BE SIZED ACCORDING TO STORAGE FOR AT LEAST 24-HOURS.



PLAN VIEW



FRONT VIEW



SIDE VIEW



**DELAWARE
DEPARTMENT OF TRANSPORTATION**

SKIMMER DEWATERING DEVICE

STANDARD NO. **E-22 (98)**

SHT. **1** OF **1**

APPROVED _____
CHIEF ENGINEER DATE

RECOMMENDED _____
DESIGN ENGINEER DATE