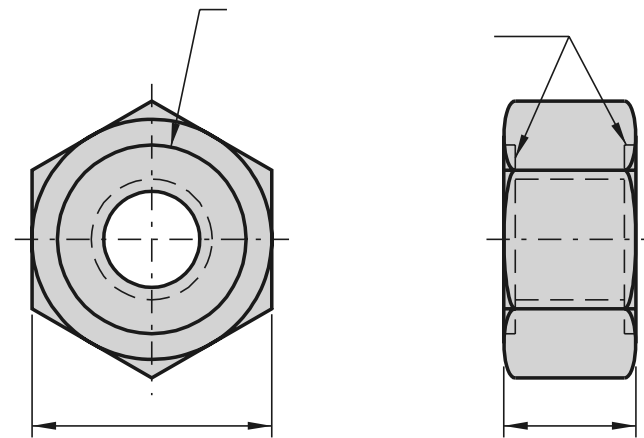
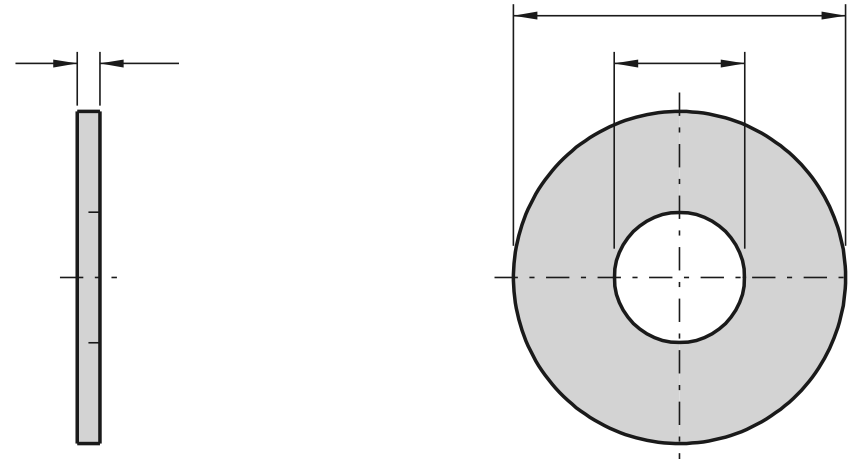


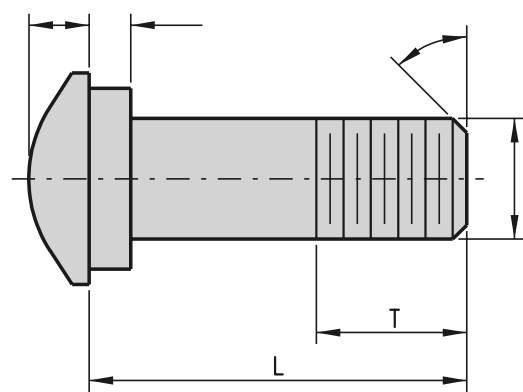
SCALE :



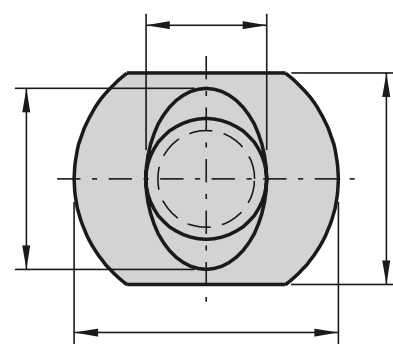
RECESSED NUT



NOTE : DIMENSION FOR WASHER THICKNESS IS APPROXIMATE BASE METAL THICKNESS.



GUARDRAIL BOLT



L	T (MIN.)
	FULL THREAD LENGTH
	FULL THREAD LENGTH

NOTES :