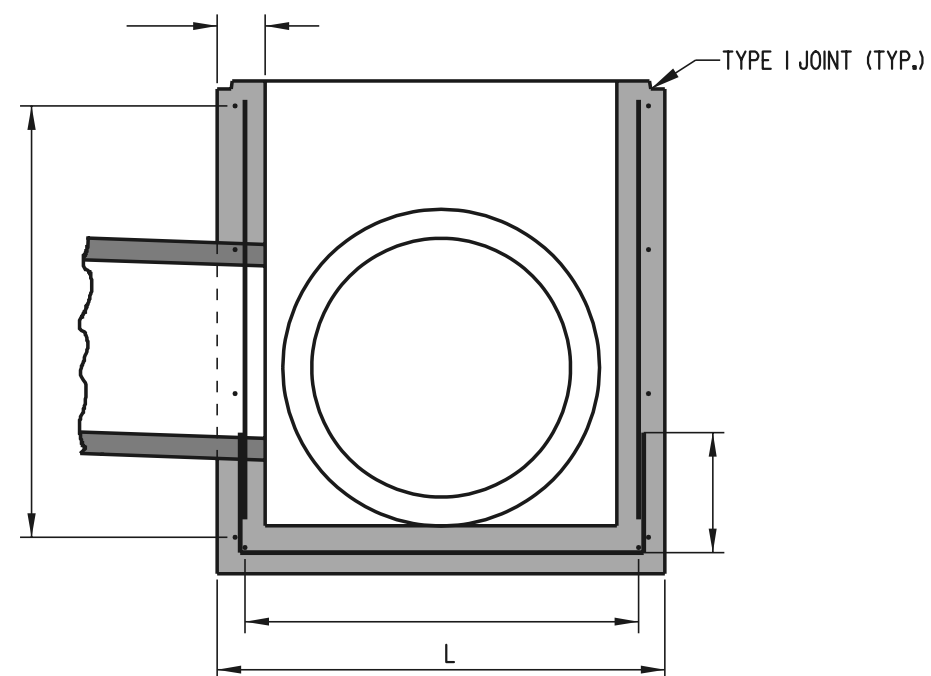


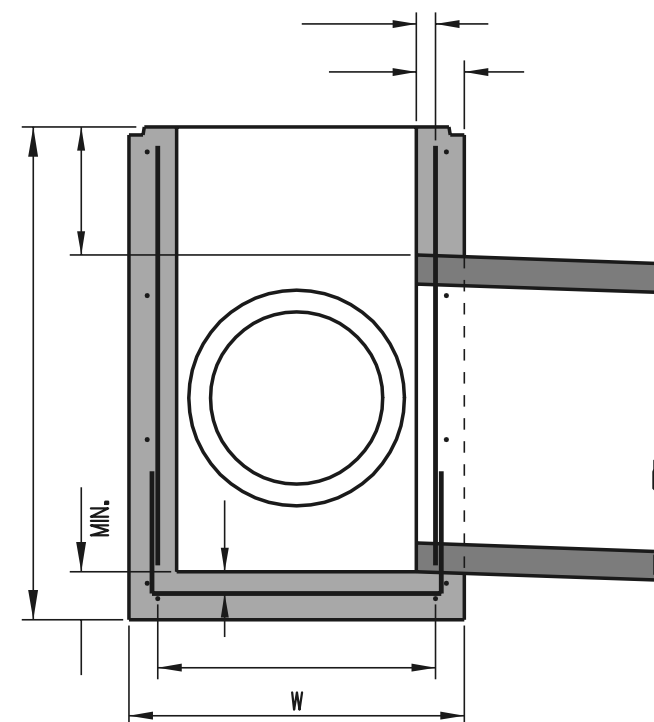
**TOP VIEW**

INLET BOX SCHEDULE				
TYPE	L	W	A (MAX.)	B (MAX.)
1				
2				
3				
4				
5				

**NOTE:** INLET BOXES ARE TO BE PRE-CAST OR CAST-IN-PLACE.



**SECTION A-A**



**SECTION B-B**

**INLET BOX DETAILS**