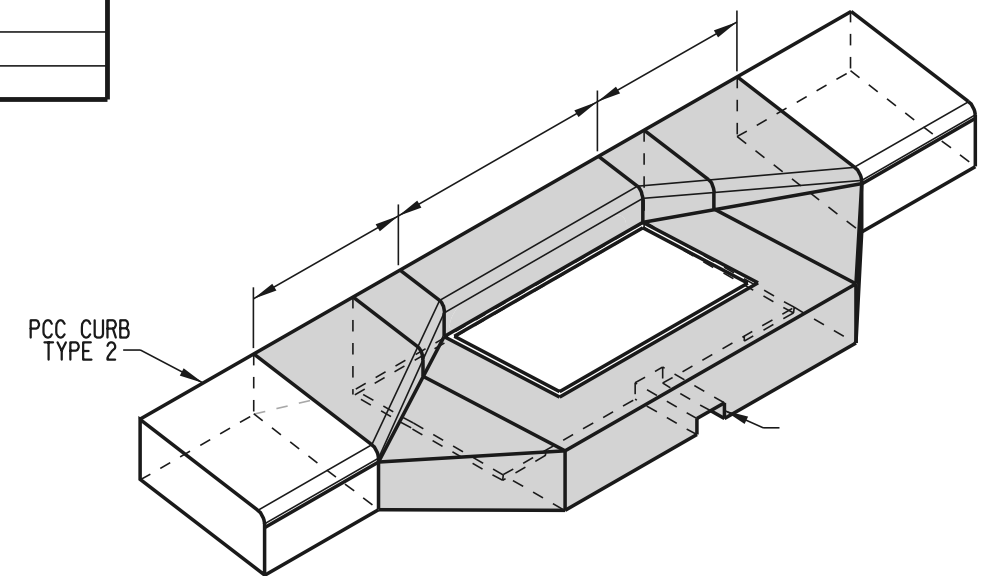
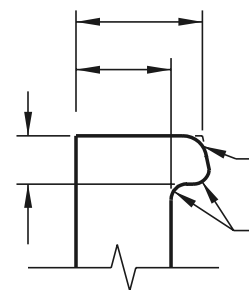
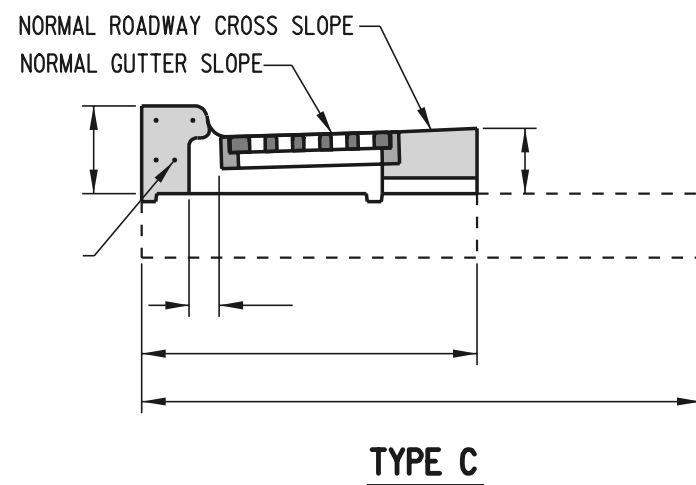


INLET TOP UNIT APPLICATIONS	
TOP UNIT	CURB



**DRAINAGE INLET TOP UNITS**

NOTE: TOP UNIT IS TO BE CAST IN PLACE TO GRADE AS SPECIFIED ON PLAN SHEETS OR AS DIRECTED BY ENGINEER.

**DRAINAGE INLET DETAILS**