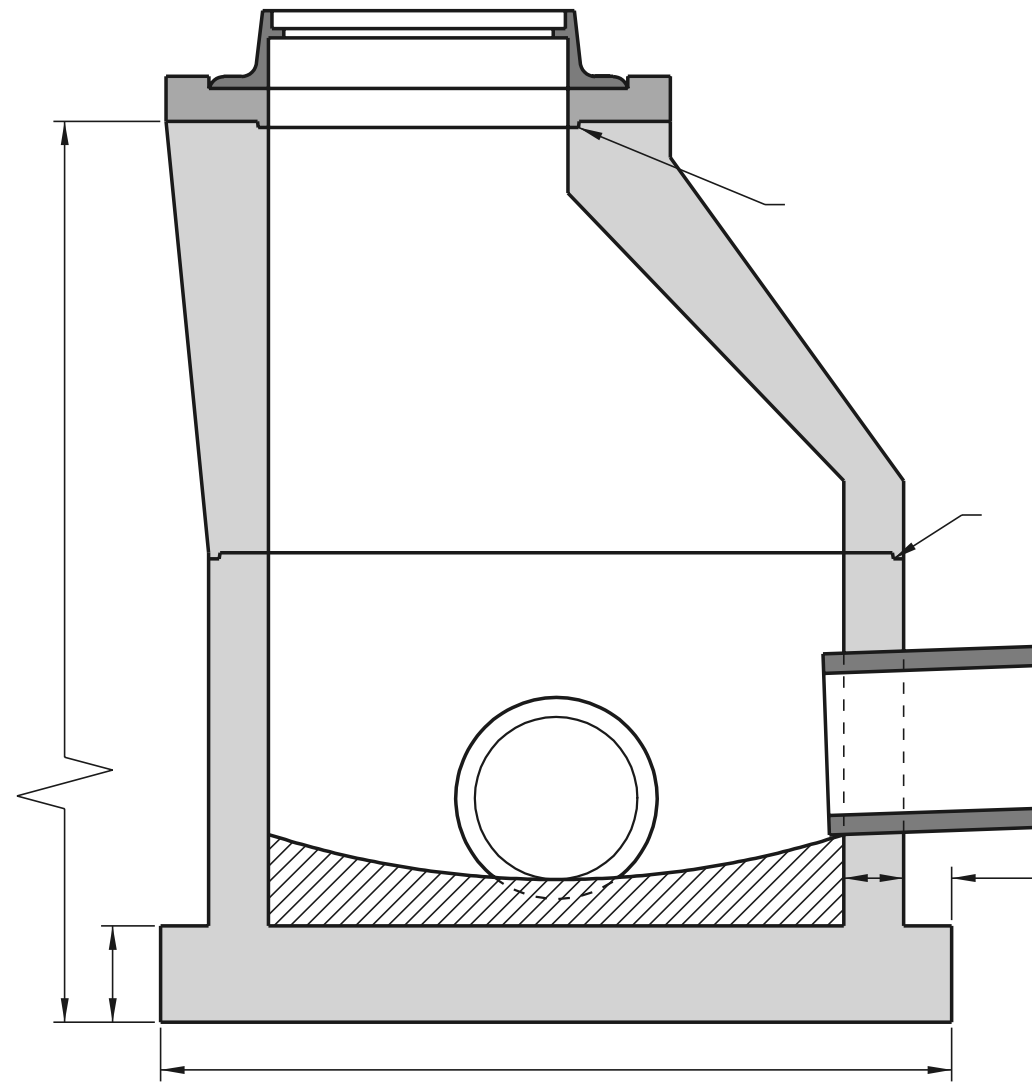
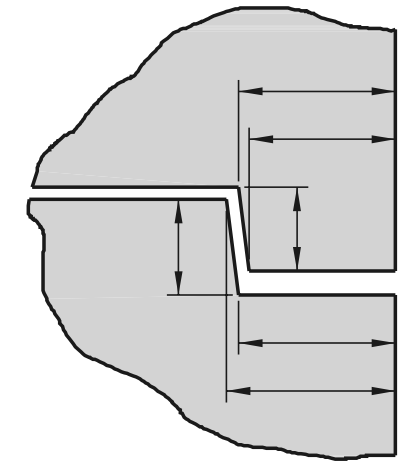


PLAN



SECTION A-A



TYPE I JOINT DETAIL

ROUND MANHOLE ASSEMBLY

MANHOLE DETAILS