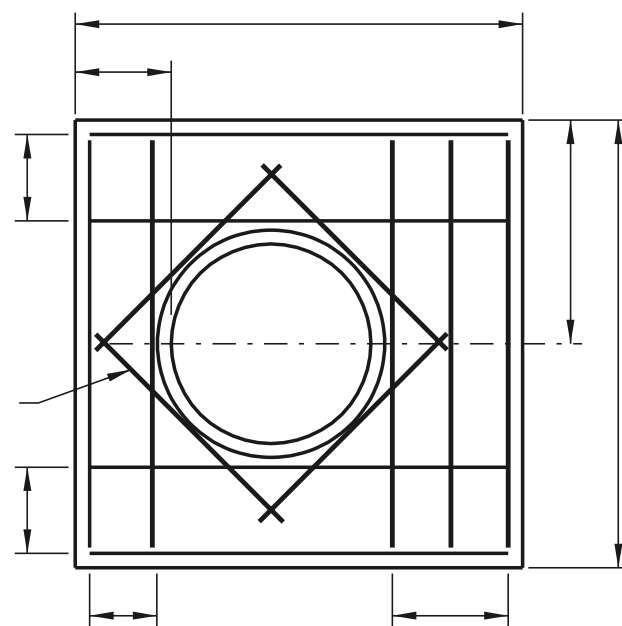
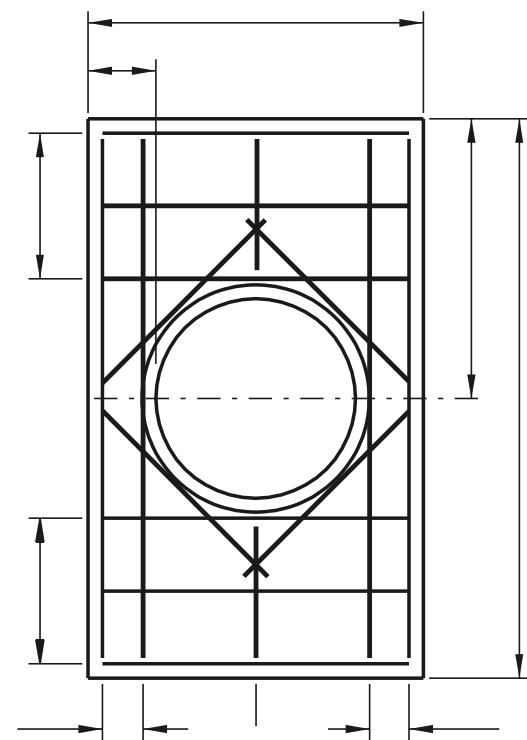


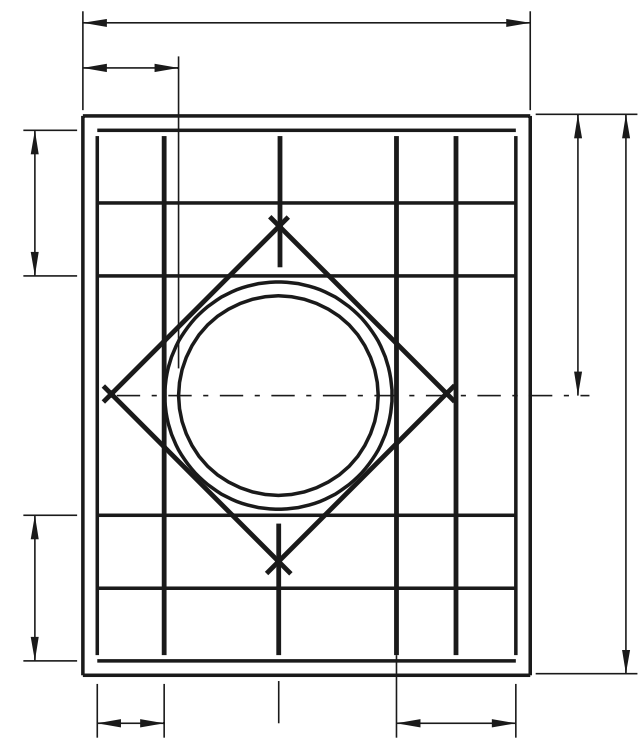
TYPE 1



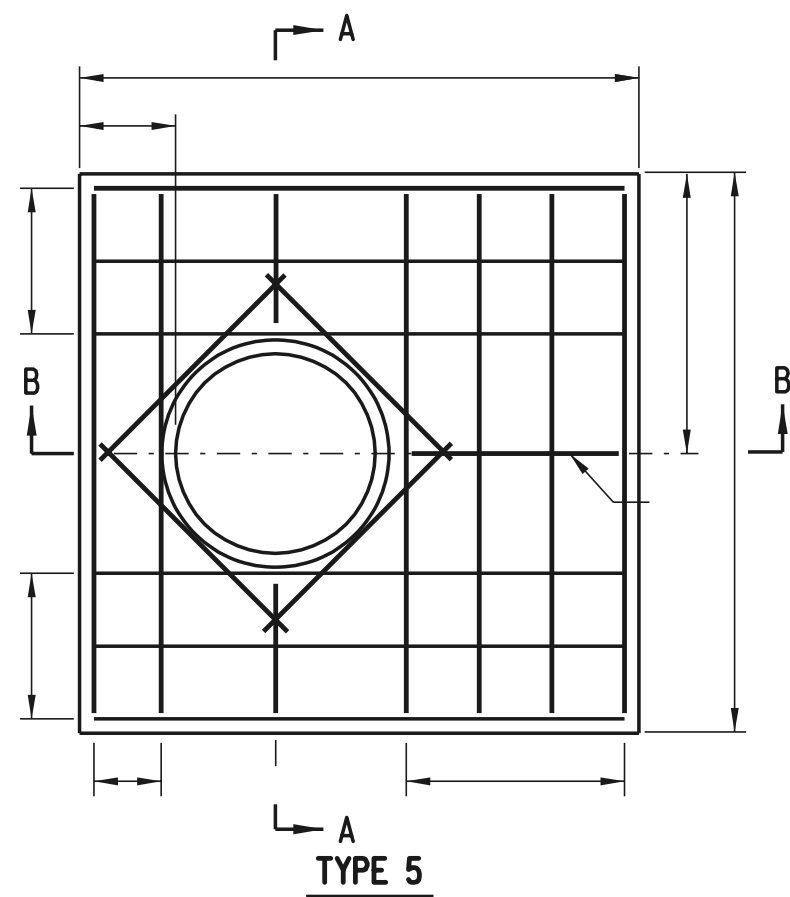
TYPE 2



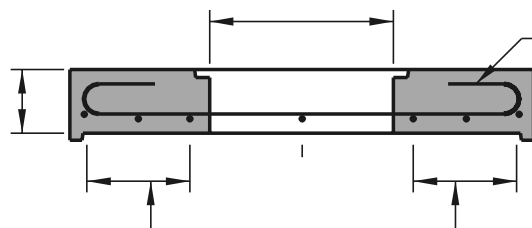
TYPE 3



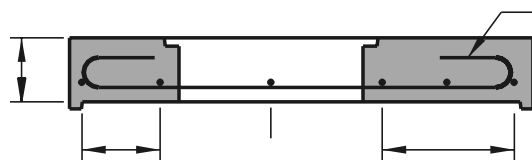
TYPE 4



TYPE 5



SECTION A-A



SECTION B-B

BOX MANHOLE COVER SLAB DETAILS

NOTE: COVER SLABS ARE TO BE PRE-CAST

MANHOLE DETAILS

MARK	A	B	G	J
	-			STRAIGHT BAR
	-			STRAIGHT BAR

ROTATE BARS TO MAINTAIN MIN. COVER

BAR LIST

N.T.S.